

# TMI HAMMERHEAD SHARK

HHS-1812

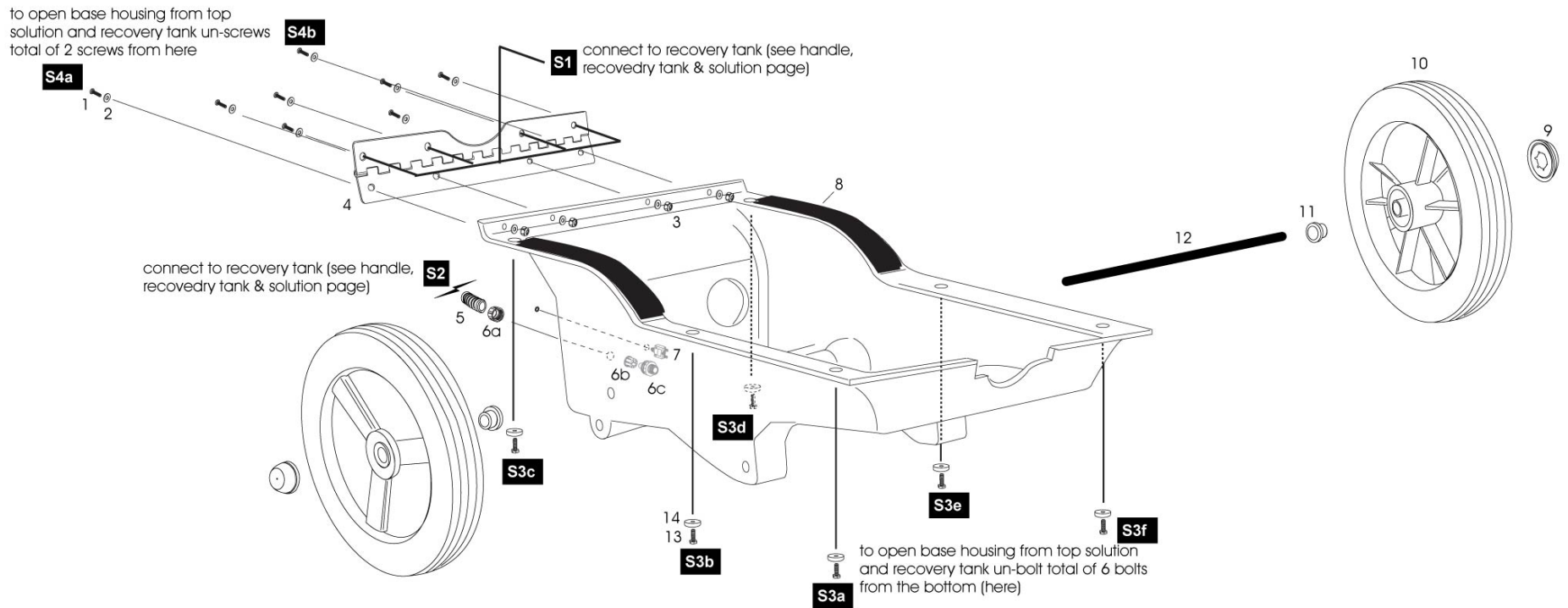
1-3 vac motor

120 psi

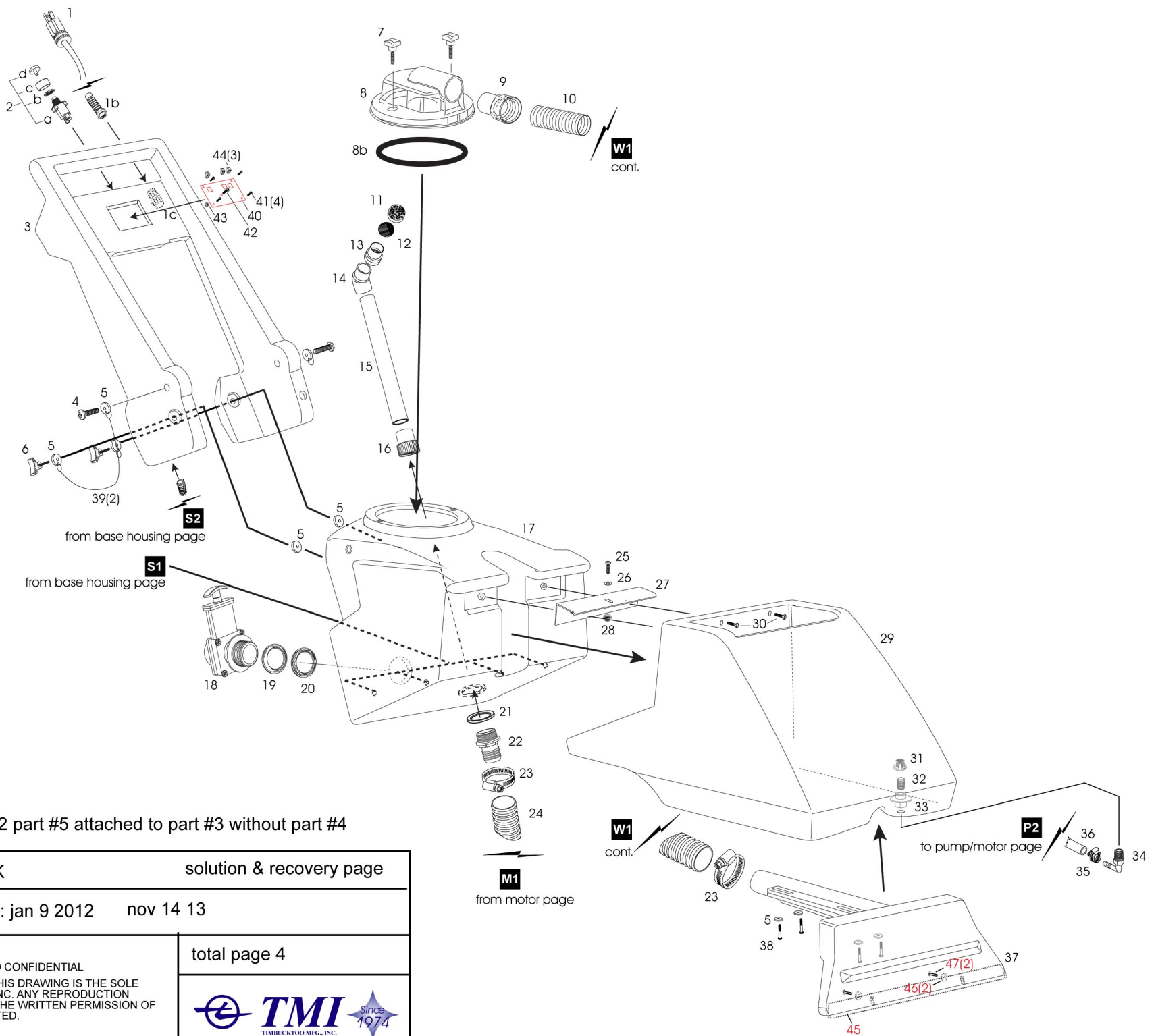
120V

SCHEMATIC SET




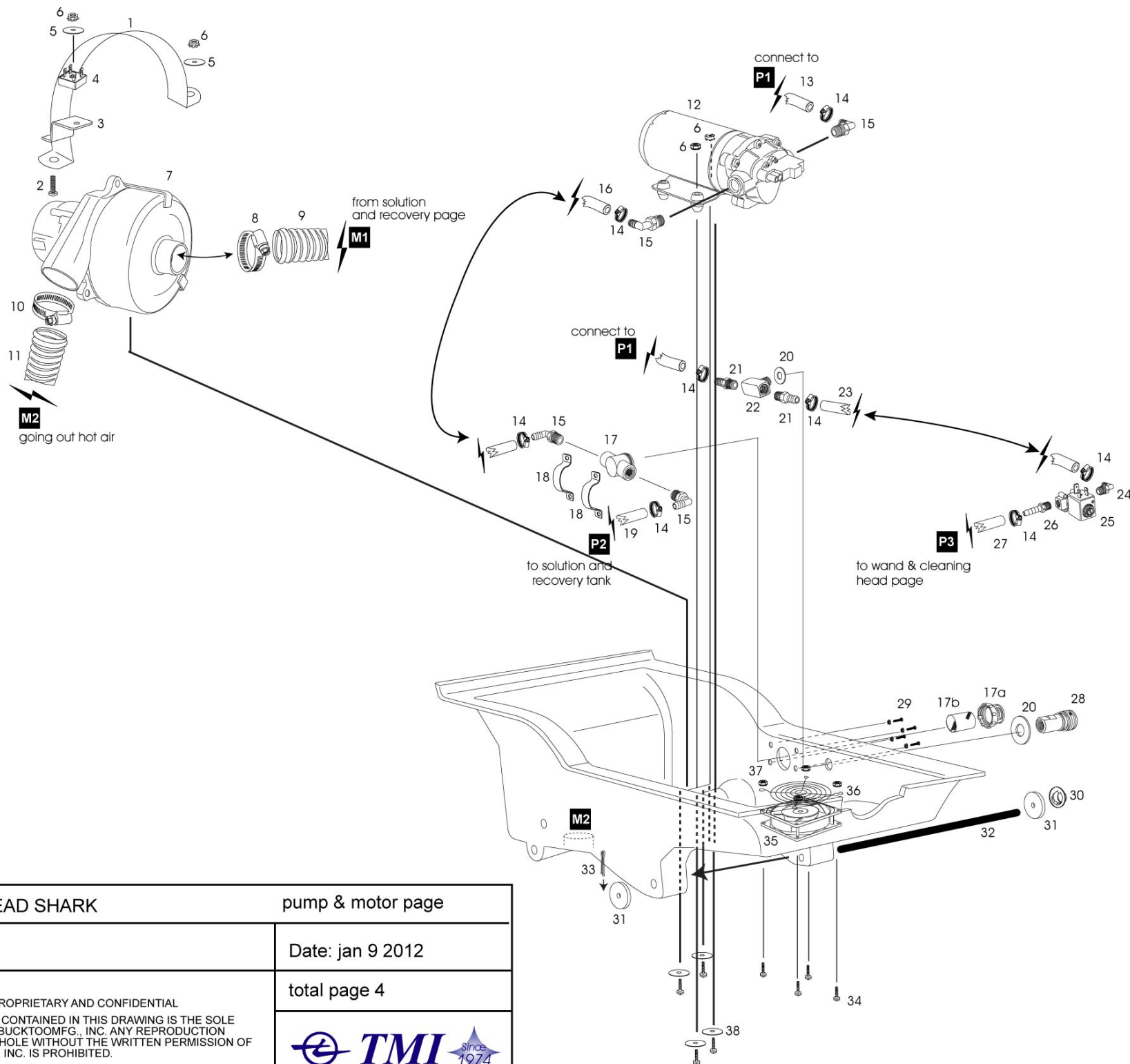


HAMMER HEAD SHARK		base housing	
HHS-1812		Date: jan 9 2012	
PROPRIETARY AND CONFIDENTIAL THE INFORMATION CONTAINED IN THIS DRAWING IS THE SOLE PROPERTY OF TIMBUCKTOOMFG., INC. ANY REPRODUCTION IN PART OR AS A WHOLE WITHOUT THE WRITTEN PERMISSION OF TIMBUCKTOOMFG., INC. IS PROHIBITED.		total page 4	

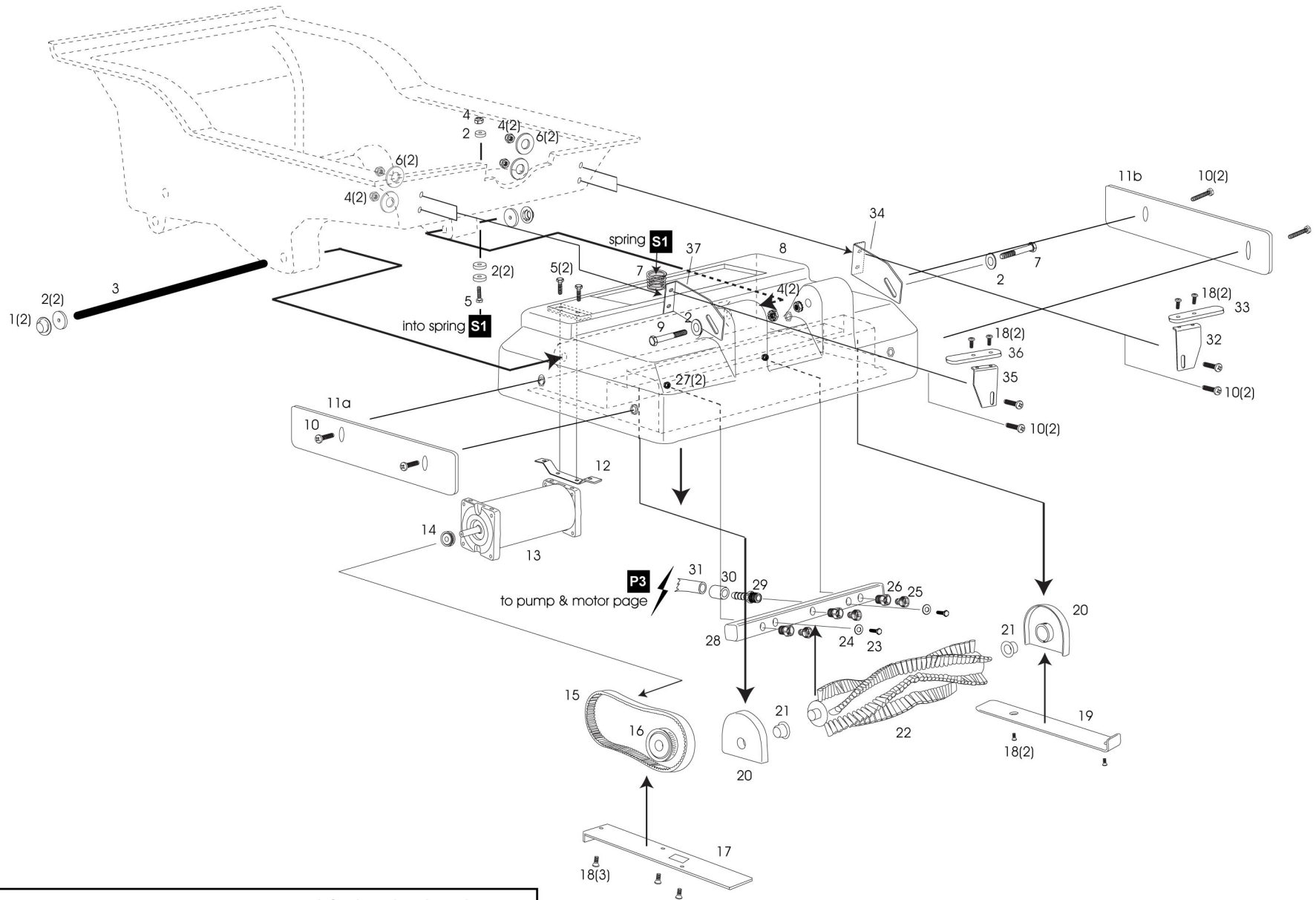


NOTE: before July 30 2012 part #5 attached to part #3 without part #4

HAMMER HEAD SHARK		solution & recovery page	
HHS-1812	Date: Jan 9 2012	Nov 14 13	
PROPRIETARY AND CONFIDENTIAL THE INFORMATION CONTAINED IN THIS DRAWING IS THE SOLE PROPERTY OF TIMBUCKTOOMFG., INC. ANY REPRODUCTION IN PART OR AS A WHOLE WITHOUT THE WRITTEN PERMISSION OF TIMBUCKTOOMFG., INC. IS PROHIBITED.		total page 4 	



<b>HAMMER HEAD SHARK</b>		pump & motor page	
HHS-1812		Date: jan 9 2012	
PROPRIETARY AND CONFIDENTIAL THE INFORMATION CONTAINED IN THIS DRAWING IS THE SOLE PROPERTY OF TIMBUCKTOOMFG., INC. ANY REPRODUCTION IN PART OR AS A WHOLE WITHOUT THE WRITTEN PERMISSION OF TIMBUCKTOOMFG., INC. IS PROHIBITED.		total page 4	



HAMMER HEAD SHARK

wand & cleaning head page

HHS-1812

Date: sept 16 2015

total page 4

PROPRIETARY AND CONFIDENTIAL  
 THE INFORMATION CONTAINED IN THIS DRAWING IS THE SOLE  
 PROPERTY OF TIMBUCKTOOMFG., INC. ANY REPRODUCTION  
 IN PART OR AS A WHOLE WITHOUT THE WRITTEN PERMISSION OF  
 TIMBUCKTOOMFG., INC. IS PROHIBITED.



HHS-1812

Base

1-3stg Vac Motors

100 psi

ITEM No.	PART No	QTY	DESCRIPTION
1	FB032408	2	10-32x1/2" PH. PAN HEAD S/S
2	FW3010416S	8	1/4X1 OD SEALING WASHER S/S
3	FN1011032	2	10X32 S/S KEPS NUT
4	FS1625131	1	HHS-182 HINGE 13"x2.5" W/HOLES
5	TE101500	1	CORD RETAINER (COMPLETE)
6	TE80580	1	CNDT FTTNG 1/2" W/LCK NT
7	TE621458	1	4 AMP CIRCUIT BRAKER ETA
8	TC13598061	1	HAMER HEAD BASE BLACK GRNITE
9	FS07108	2	1/2" AXLE (ROD) END CAP
10	WC131294	2	12 X 1.75 X 1/2 SEMI PNEU. WHL
11	MBS080908	2	1/2"X1/2"L-PLT BEARING W/FLANG
12	FS05081401	1	HHS-18 AXEL 1/2" x14-1/8
13	FB021412	6	1/4-20X3/4 HEX TAP BOLT S/S
14	FW552400	6	1/4 PLASTIC CUT WASHER

Hammer Head  
Sol & Rec  
1-3stg Vac Motors  
100 psi

ITEM No.	PART No	QTY	DESCRIPTION
1	TE101143	1	14-3SJTW-A POW.CORDX25"W/15M.P
B	TE101500	1	CORD RETAINER (COMPLETE)
C	TE101510	1	CORD GROMMET
2	TE202032	1	FANTOM PUSH BOTTON SWTICH
3	TC13598091	1	HAMER HEAD HANDLE BLACK GRANIT
4	FB013624	2	3/8 - 16 X 1-1/2 PAN PHL S/S
5	FW553824	8	1/2"x1.5" PLASTIC FENDER WSH
6	FKB32042024	2	3 ARM 2" KNOB 1/4-20x1.5"
7	FKB41242016	2	4ARM 1.25" KNOB 1/4-20 x 1"
8	TMC1800213	1	SIGHT DOME HH
9	TV140115	1	1-1/2 HOSE CUFF(1.5" C.P. HOSE
10	TV175299-24	-	1-3/4 VAC.HOSE WIRE BRAID BLAK (24")
11			
12	TF1800351	1	STAINLESS STEEL SCREEN HH
13	TF1800300	1	SCREEN HOLDER HAMMER HEAD
14	TB427015	1	1-1/2" 45 STEET ELL SPIG x SOC
15	PM24160095	1	STAND PIPE 1.90" O.D.x9.5" HH
16	TB478015	1	1-1/2 SPIGOTX 1-1/2 FEMALE ADA
17	TC13570041	1	HAMER HEAD REC TANK RED
18	TB231151	1	1.5"BLACK 3PC.VALVE SPIG X MPT
19	TB231602	1	1-1/2" X 3/16GASKET(THICK)
20	TB231620	1	1-1/2LOCK NUT(JAM NUT)
21	TB231601	1	1-1/2" X 1/8 GASKET(THIN)
22	TB231516	1	1.5"HOSE BARB W/FLANGE BLACK
23	ID57320	2	1/2 SS BN,PLT, 1-9/16 TO 2-1/2
24	TV151194-24	-	1-1/2" WIRE BRAID INTRNL VAC H
25	FB032424	1	10- 32 X 1-1/2 PH.PAN HEAD S/S
26	FW321004	1	1/4 TWIST LOCK WASHER
27	TPH1208308	1	HHS-182 SOL&REC TANK HOLDING B
28	FN1011032	1	10X32 S/S KEPS NUT
29	TC13570053	1	HAMER HEAD SOL TANK RED
30	FB022408	2	1/4-20X1/2 HEX TAP BOLT-ZINC
31	TF101050	1	FILTER SCREEN S/S 50MESH 1/4FT
32	215PN4	1	CLOSE NIPPLE 1/4
33	TSP10402	1	1/4FPTx1/4FPT SPIN FITTING
34	N6MEB6	1	90DEG.H.B.3/8HOSEX3/8MPT WH.NY
35	ID57060	1	H.C.1/2 SS BN,PLT,3/8TO7/8
36	TH3630499-45	-	1/4 I.D. 250 WP 1000 BP BLACK
37	TC13598071	1	HAMER HEAD WAND HEAD BLACK GRA
38	FB14200124	2	1/4-20 X 1 1/2 PH PAN ZN
39	FS1237080	2	PC MIN. S/S CABLE 8" W/1.5"PL
40	TS31015	1	SWITCH PLATE W/3 SWITCHES
41	FB032108	4	10-32x1/2 PN.PH SCREW S/S
42	FB14200108	1	1/4-20 x 1/2 PH PAN HEAD ZN
43	FN1020421	1	1/4X20 KEPS NUT
44	TE202012	3	CV/ON-OFF ROCKER SWITCH (TMI)

45	<b>TC13598072</b>	1	HAMER HEAD WAND HEAD AUTO SEAL
46	<b>FW552400</b>	2	1/4 PLASTIC CUT WASHER
47	<b>FB032408</b>	2	10-32x1/2" PH. PAN HEAD S/S

NOV 14 2013



HHS-1812  
Pump & Motor  
1-3stg Vac Motors  
100 psi

ITEM No.	PART No	QTY	DESCRIPTION
1	TP2021214	1	MOTOR STRAP HOLDING BRACKET
2	FB022424	1	1/4-20X1-1/2 HEX TAP BOLT-ZINC
3	TPH1218227	1	HHS-182 BRUSH MTR RECTIFIER BK
4	TE620350	1	RECTIFIER 35 AMP (PW & FM)
5	FW3010612	2	3/8 X 3/4 X 1/8 S/S WASHER
6	FN1020421	4	1/4X20 KEPS NUT
7	11660048-C/C	1	120 /5.7"3STG,143"/106CF/1.5"A
8	ID57200	1	1/2 SS BN5/16PLT, 3/4 TO 1-3/4
9	TV151194-24	-	1-1/2" WIRE BRAID INTRNL VAC H (24")
10	ID57320	1	1/2 SS BN,PLT, 1-9/16 TO 2-1/2
11	TV200394-7	-	2" WIRE BRAID INTERNAL VAC HSE (7")
12	866-520-2141	1	115V. 120 PSI P/VITON/INT. 100
13	TH3630499-11	-	1/4 I.D. 250 WP 1000 BP BLACK (11")
14	ID57060	8	H.C.1/2 SS BN,PLT,3/8TO7/8
15	N6MEB6	2	90DEG.H.B.3/8HOSEX3/8MPT WH.NY
16	TH3630499-15	-	1/4 I.D. 250 WP 1000 BP BLACK (15")
17	TF105210	1	LINE FILTER 3/8"FPT LG
A	TF105015	1	BOWL (CLEAR)
B	TF105016	1	SCREEN-80 MESH
18	TPH1208311	2	HHS-182 INLI SOL. FILTER CLAMP
19	TH3630499-45	-	1/4 I.D. 250 WP 1000 BP BLACK (45")
20	FW09200409	2	9/16 x 1 1/4 Washer AL
21	N6MCB4	2	HOSE BARB3/8HOSEX1/4MPT WH.NY
22	2224P4	1	MALE BRANCH TEE 1/4"
23	TH3630499-8	-	1/4 I.D. 250 WP 1000 BP BLACK (8")
24	N4MEB2	1	90DEG.HOSE BAR(HOSExMP)1/4&1/8
25	TE712123	1	120 Vac 220 PSI SOLENOID VALVE
26	N4MCB2	1	HOSEBARB1/4HOSEX1/8MPTWH.NY.
27	TH3630406-24	-	1/4" i.d. x 3/8"o.d. vinyl cle (24")
28	BH2-6020	1	BRASS COUPLER 1/4"FPT -FST
29	FB032412	1	10-32 X 3/4" PH HEAD S/S
30	FS07108	1	1/2" AXLE (ROD) END CAP
31	FW553824	2	1/2"x1.5" PLASTIC FENDER WSH
32	FS15081101	1	HHS-182 BRSH HEAD HOLDING ROD
33	FB032428	4	10-32X1-3/4PH.PAN HEAD S/S
34	TE436111	1	COOLING FAN 120V 3.5"
35	TE438134	1	COOLING FAN SCREEN
36	FN1021032	4	10X32 KEPS NUT ZINC
37	FW302424	4	1/4X1-1/4 ZINC FENDER WASHER

HHS-1812  
Wand & head  
1-3stg Vac Motors  
100 psi

ITEM No.	PART No	QTY	DESCRIPTION
1	FS07108	2	1/2" AXLE (ROD) END CAP
2	FW553824	6	1/2"x1.5" PLASTIC FENDER WSH
3	FS15081101	1	HHS-182 BRSH HEAD HOLDING ROD
4	FN1010421	5	1/4X20 S/S KEPS NUT
5	FB021412	3	1/4-20X3/4 HEX TAP BOLT S/S
6	FW3020450	4	1/4 SAE WASHER PLT
7	FS091624	1	Q.C. MOUNTING SPRING
8	TC13598081	1	HAMER HEAD BRUSH HOUSING BLACK
9	FB021448	2	1/4-20X3 HEX TAP BOLT S/S
10	FB032412	8	10-32 X 3/4" PH HEAD S/S
11	TNP18111201	1	BRUSH HEAD SPLASH COVER RT
B	TNP18111202	1	BRUSH HEAD SPLASH COVER LT
12	TP181012065	1	BRUSH MOTOR MOUNTING BRACKET
13	TE710003109	1	D.C MOTOR FOR 300PSI PM3600RMP
14	MTP0687	1	TIMING PULLEY (MOTOR)
15	MTB3420M09	1	TIMING BELT 3x9x420MM
16	MTP4409	1	P44x3M 09 1/2 BORE TIMMING PLY
17	TP181032012	1	LT BRUSH B HOLDER, BELT COVER
18	FB1032108	5	10-32X1/2PH.PAN HEAD ZN
19	TP181016065	1	RT BRUSH BEARING HOLDER COVER
20	MBTF08325	2	ENG PL BEARING HOLDER COMPOSIT
21	MBT080908	2	1/2"X1/2"HIGH TEMP BR W/FLANG
22	PB916213	1	CHEV. CYL NYL BRUSH OD2.5"x13"
B	PX180815	2	AXEL 1/2"x15" FOR HAMMER HEAD
23	FB021420	2	1/4-20X1-1/4 HEX CAP SCREW S/S
24	FW3020450	2	1/4 SAE WASHER PLT
25	MPB-11000	3	MIN. QUICK NOZZLE BODY
26	MPT-11001	3	MIN. QUICK NOZZLE JET PLSTC-wh
27	FN1020421	2	1/4X20 KEPS NUT
28	TP18075153	1	MANIFOLD 3-JET 1/8FPT 12"x.75"
29	125HBL42	1	HOSE BARB(HOSE X MPT)1/4X1/8
30	GB05000	1	BRASS HOSE FERRULE .50"ID
31	TH3630406-24	1	1/4" i.d. x 3/8"o.d. vinyl cle (24")
32	TP182038011	1	HHS-182 GAP HOLDING BRACKET RT
33	TNP1844047	1	VAC HEAD SOL.TANK GAP PLT LT
34	TP181038011	1	BRUSH UNIT /BASE CONEC BRK RT
35	TP182038012	1	HHS-182 GAP HOLDING BRACKET LT
36	TNP1844046	1	VAC HEAD SOL.TANK GAP PLT RT
37	TP181038012	1	BRUSH UNIT /BASE CONEC BRK LT