



Cheetah

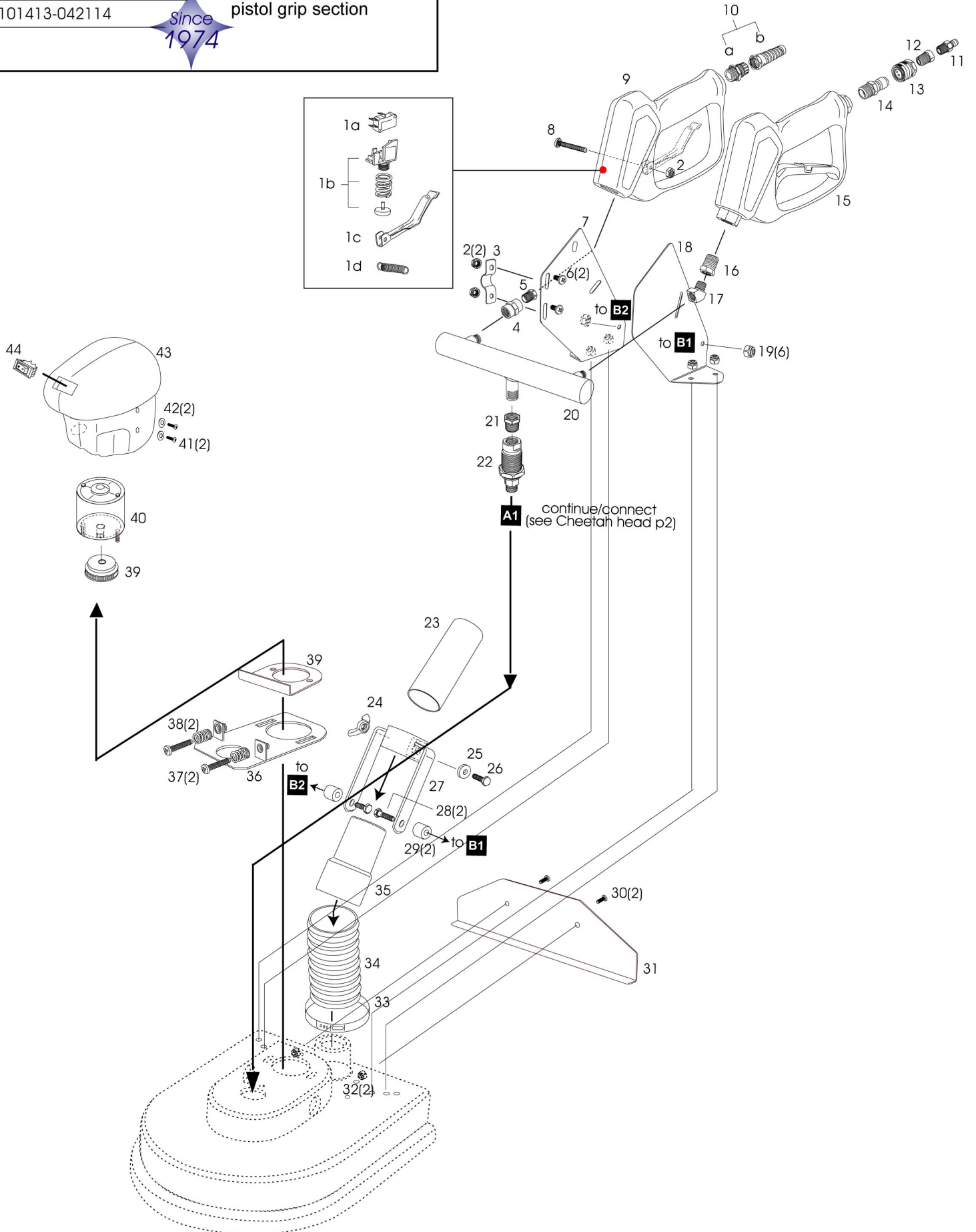
page 1 of 2

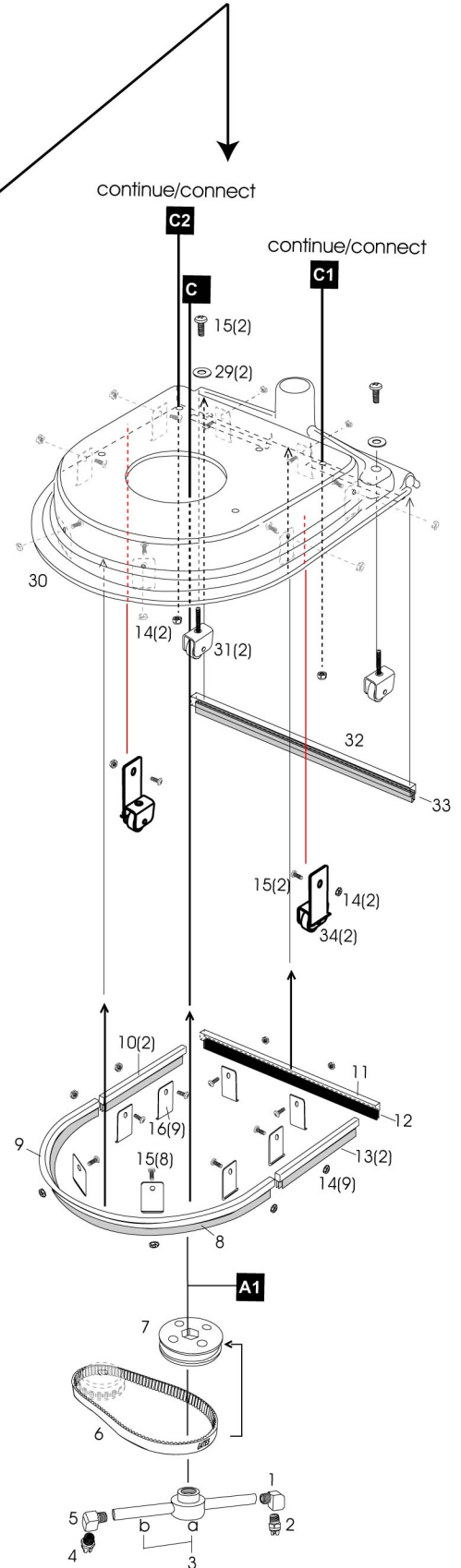
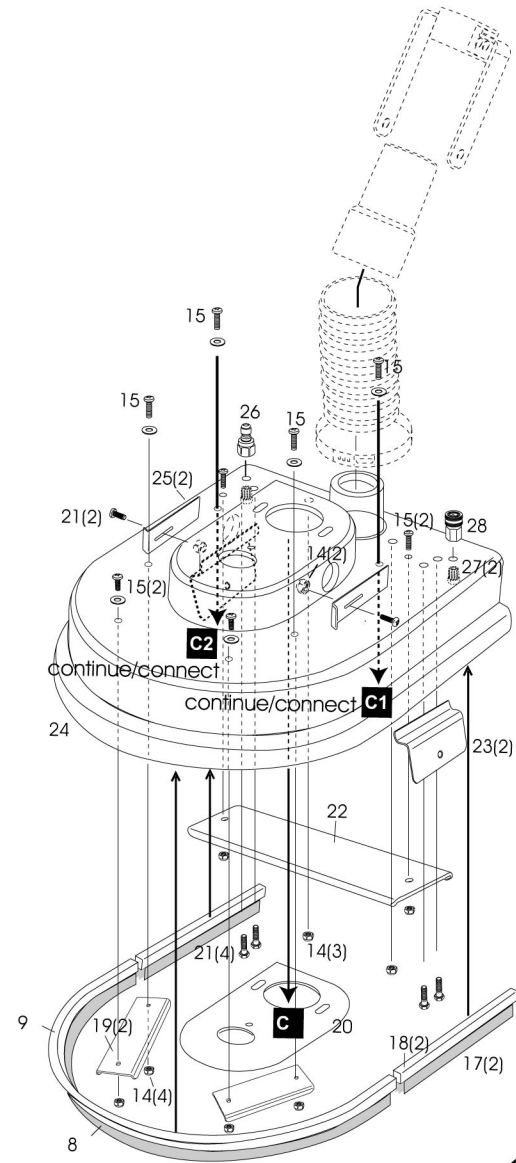
043009 010611

Head Assembly
pistol grip section

101413-042114

Since
1974





CHEETAH

HEAD ASSEMBLY/ PISTOL GRIP SECTION

April 23 2014

ITEM NO.	PARTS LIST	QTY	DESCRIPTION
1a	SP10220	1	MINI MICRO SWITCH
b	TE202033	1	CHEETAH PUSH BUTTON SWITCH HOUSING
c	TP610155	1	LEVER S/S FOR HT-105,CH ELEC.
d	TSE0313030175	1	EXT.SPRING 313ODx.30WDx1.75 LG SS
2	FN1011032	3	10X32 S/S KEPS NUT
3	TPA01010	1	5/8" S/S U-SADDLE CLAMP
4	207P-2	1	COUPLING 1/8X1/8 FPT TO FPT
5	218P2	1	HEX PLUG 1/8
6	FB032408	2	10-32x1/2" PH. PAN HEAD S/S
7	TCP409182	1	CHEETAH VALVE HOLDING BRACKET RIGHT
8	FB032422	1	10-32 X 1-3/8" PH HEAD S/S
9	ST2606	1	SPRAY GUN 5000PSI HOUSING ONLY
10	TE101500	1	CORD RETAINER (COMPLETE)
11	BST-N1MO	1	HIGH FLOW NIPPLE 1/8 MPT
12	209P62	1	BUSHING 3/8 X 1/8
13	BST-3000	1	HIGH FLOW COUPLER 3/8 FPT
14	BST-N3M0	1	HIGH FLOW NIPPLE 3/8 MPT
15	ST2605	1	SPRAY GUN 5000PSI(FOR HYDROBLADE)
16	209P42	1	BUSHING 1/4 X 1/8
17	2214P22	1	45DEG.ST.ELBOW 1/8MPTX1/8FPT
18	TCP409181	1	CHEETAH VALVE HOLDING BRACKET LEFT
19	FN1110420	6	1/4X20 S/S NYLON LOCK NUT
20	TCT16712	1	CHEETAH MANIFOLD
21	209P64	1	BUSHING 3/8 X 1/4
22	DX37163	1	HYD BL.SWIVEL FTG.3/8NFPTx3/8G
23	TB171156	1	1-1/2 O.D. X 6" S/S HAND TOOL TUBE
24	FN1320420	1	1/4X20 FORCED WINGED NUT
25	FW552400	1	1/4 PLASTIC CUT WASHER
26	FB021416	1	1/4-20X1 HEX TAP BOLT S/S
27	TCP416142	1	CHEETAH COMPRESSION JOINT ARM
28	FB021416	2	1/4-20X1 HEX TAP BOLT S/S
29	TM009516	2	BUSHING S/S 5/16" I.D. X 3/4"
30	FB032412	4	10-32 X 3/4" PH HEAD S/S
31	TCP410240	1	CHEETAH BACK PLATE
32	FN1111032	2	10X32 S/S HEX NYLON LOCK NUT
33	ID57320	1	1/2 SS BN,PLT, 1-9/16 TO 2-1/2
34	TV175294	1	1-3/4 VAC.HOSE WIRE BRAID GREY (6")
35	TV140117	1	1-1/2 HOSE CUFF (1.75 WR)
36	TCP432501	1	CHEETAH MOTOR MOUNTING BRACKET #A
37	FB032424	2	10-32 X 1-1/2 PH.PAN HEAD S/S
38	TSC04200550100	2	SPRING FOR HB IDLER
39	TCP432511	1	CHEETAH MOTOR MOUNTING BRACKET #B
40	MTP4469	1	P44x3M 09 3/8 BORE TIMMIN PULL
41	TE911750100	1	D.C MOTOR FOR CHEETAH 115VAC
42	FW302316	2	3/16 ALUM. RIVET WASHER AS6R
43	HB232130	1	CHEETAH MOTOR COVER
44	TE202012	1	CV/ON-OFF ROCKER SWITCH (TMI)

CHEETAH
 CHAMBER AND HOUSING SECTION
 April 23 2014

ITEM NO.	PARTS LIST	QTY	DESCRIPTION
1	2202P22	1	90DEG.STREET ELBOW 1/8MPTX1/8F
2	J2VS-1501	1	1/8 V-JET #1501 (SS)
3a	HB900382	1	MANIFOLD 3/8"F,2xM12F
b	TU899250	2	1/2"x2-1/2"S/S(12x1MM-1/8FNPT)
4	J2VS-2501	1	1/8" V-JET #2501 (SS)
5	2202P22	1	90DEG.STREET ELBOW 1/8MPTX1/8F
6	MTB3333M09	1	TIMING BELT 3*9*333mm
7	TP102010	1	CHEETAH CENTER PULLEY
8	CHS1508	2	CHEETAH 15-1/2" SQUEEGEE
9	CHT1508	2	CHEETAH 15-1/2" SQ. NOCHED TRK
10	CHT0308	2	CHEETAH 3-1/2" SQUEEGEE TRACK
11	CHT0814	1	CHEETAH 8-7/8" BRUSH TRACK
12	CHB0814	1	CHEETAH 8-7/8" BRUSH
13	CHS0308	2	CHEETAH 3-1/2" SQUEEGEE
14	FN1111032	23	10X32 S/S HEX NYLON LOCK NUT
15	FB032408	22	10-32x1/2" PH. PAN HEAD S/S
16	TPC11102	9	CHEETAH TRK HOLDING BKT1x1-1/8
17	CHS0708	2	CHEETAH 7-1/2" SQUEEGEE
18	CHT0708	2	CHEETAH 7-1/2" SQUEEGEE TRACK
19	TCP552250	2	CHEETAH INTER FRONT BRACKET 5" X 2"
20	TCP432521	1	CHEETAH MOTOR MOUNTING BRACKET #C
21	FB021416	6	1/4-20X1 HEX TAP BOLT S/S
22	TCP587523	1	CHEETAH INTER BACK BRACKET 8.75" X 2.25"
23	TCP32140	2	CHEETAH OUTER COVER SQUEEGEE HOLDER
24	HB232122	1	CHEETAH 1000 TOP SECTION
25	TCP525125	2	CHEETAH VENT BRACKET
26	BST-N100	2	HIGH FLOW NIPPLE 1/8 FPT
27	222P42	1	ADAPTER 1/4 FPTX1/8 MPT
28	BST-1000	1	HIGH FLOW COUPLER 1/8 FPT
29	FW302316	2	3/16 ALUM. RIVET WASHER AS6R
30	HB232125	1	CHEETAH 1000 BOTTOM SECTION
31	WC109180	2	CHEETAH WHEEL W/MOUNTING BRAKT
32	CHT0914	1	CHEETAH 9-7/8" SQUEEGEE TRACK
33	CHS0914	1	CHEETAH 9-7/8" SQUEEGEE
34	WC109181	2	CHEETAH WHEEL W/MOUNT BRACK#B