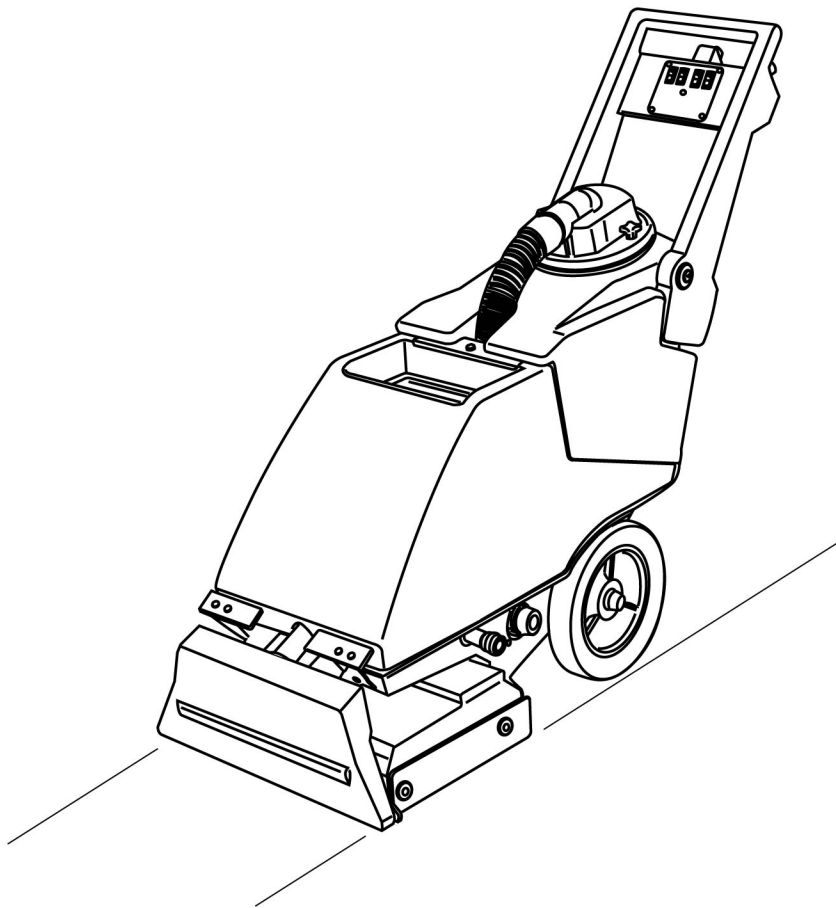




Hammer Head Shark

Portable Heavy Duty Self Contained Extractor

Owner's Manual



IMAGES AND ILLUSTRATIONS ARE FOR REFERENCE ONLY.
ACTUAL PRODUCTS MAY NOT BE EXACTLY AS SHOWN.

1633 WEST 134th. STREET GARDENA, CA 90249-2013

TEL: 310 323 1134 FAX: 310 323 8397

WWW.TIMBUCKTOOMFG.COM

© All rights reserved

CAUTION

GENERAL PRECAUTIONS FOR SINGLE AND DUAL POWER CORD EXTRACTORS:

Single Power Cord Extractors

Make sure the extractor is plugged into an electrical outlet with the same voltage as shown on the extractors

Dual Power Cord Extractors

Make sure the power cord is plugged into an electrical outlet with the appropriate voltage. (As shown on the extractor). Each power cord must be on separate circuits. To test if the extractor is on two separate circuits press the "Circuit Test" switch located on the switch plate. If the green light is illuminated it will confirm that the extractor is on two separate circuits. If the green light is not illuminated this indicates that the extractor is on the same circuit, and that the user must find an additional circuit to plug into.

Warning!

This extractor is designed for use on carpet, floor and upholstery applications as per instructions written in this manual. Any deviation from its proper use or purpose and the consequential damage that may occur is the sole responsibility of the end user.

Do not attempt to repair the extractor. See your authorized service dealer.

Do not expose extractor to extreme temperatures.

Do not use unauthorized replacement parts.

This extractor was tested before shipping and antifreeze may remain in the plumbing system. The user must flush out antifreeze before use. Make sure to use antifreeze if storing the extractor in extremely cold weather.

TABLE OF CONTENTS

CAUTION	2
TABLE OF CONTENTS	3
LIMITED WARRANTY	4
WARRANTY REGISTRATION	5
Owner's warranty information	
SAFETY INSTRUCTIONS	7
EXTRACTOR OVERVIEW	8
ASSEMBLY	9
Connect power, Connect hose	
OPERATING THE EXTRACTOR:	10
Before operating	
Operating	
After operating	
PREVENTATIVE MAINTENANCE	14
HOW TO:	16
How to use attachment tools	
How to bleed the system	
TROUBLESHOOTING:	18
Electrical system	
Pump system	
Vacuum system	
Heating system	

4

LIMITED WARRANTY

All equipment and accessories are thoroughly inspected and tested before leaving the factory. They are warranted to be free of defects from workmanship and materials for one year from date of original purchase. (proof of purchase is required).

Labor: 90 days from initial purchase

Parts: 1 year, excluding normal wear and tear items

Heavy duty Fiber composite body: 20 years limited warranty

Polyethylene body: 5 years limited warranty

Should any trouble develop during this period, please contact your dealer or manufacturer to receive a Return Guarantee Authorization number (RGA #). Return the parts or extractor that need to be replaced. If after an inspection it is determined to be under warranty, the factory will repair or replace (manufacturer's discretion) the parts or equipment and return parts or equipment at no charge. Note: Credit, repair or replacement will not be given to any parts or equipment without the above mentioned RGA#.

Proof of purchase is necessary to establish the date of the original sale. Receipt of purchase or warranty registration can be used as proof of purchase. It is extremely important to register your purchase by sending Timbucktoo MFG., Inc. the warranty registration form within 10 days of purchase (Page 5).

This warranty is in lieu of all other warranties expressed or implied, and no person is authorized to give any other warranty, assume obligation or liability on the manufacturer's behalf.

This Warranty does not apply when:

- Repairs that are required because of normal wear and tear
- Repairs have been made or attempted by others
- Items have been abused, misused or improperly maintained
- Modifications or alterations have been made to the equipment

LIMITATION OF REMEDY:

In no event shall seller be liable for any incidental, consequential or special damages of any kind or nature whatsoever. Including but not limited to lost profits arising from or in anyway connected with this agreement or items sold hereunder, whether alleged to arise from breach of contract, express or implied warranty, or in tort, including without limitation, negligence, failure to warn or strict liability.

ENTIRE AGREEMENT / GOVERNING LAW:

This agreement and warranty shall be governed in all respects by the law of the State of California. No actions arising out of the items sold hereunder or this Agreement may be brought by either party more than two (2) years after the cause of action occurs. All mediation or litigation will take place in the County of Los Angeles in California.

WARRANTY REGISTRATION

PLEASE SIGN AND MAIL WITHIN 10 DAYS FROM THE SALE DATE FOR VALID WARRANTY

PLEASE PRINT OR TYPE (SEND TO DEALER)

PURCHASED FROM (DEALER NAME):

ADDRESS:

CITY, STATE, ZIP:

TELEPHONE:

DATE OF PURCHASE:

SERIAL NUMBER:

MODEL NUMBER:

PLEASE PRINT OR TYPE (SEND TO TIMBUCKTOO MFG., INC.)

DEALER NAME:

ADDRESS:

CITY, STATE, ZIP:

DATE SOLD:

PURCHASER'S NAME:

ADDRESS:

TELEPHONE:

DATE OF PURCHASE:

SERIAL NUMBER:

MODEL NUMBER:

Signature:

Print Name:

OWNER'S WARRANTY INFORMATION

DATE OF PURCHASE:	KEEP FOR YOUR OWN RECORDS
SERIAL NUMBER:	
MODEL NUMBER:	
PURCHASED FROM (DEALER NAME):	
ADDRESS:	
CITY, STATE, ZIP:	
TELEPHONE:	

BLACK PAGE

SAFETY INSTRUCTIONS

WARNING!

When using an electrical appliance, basic precautions should always be followed.

To reduce the risk of fire, electric shock or injury following these tips:

1. Do not leave appliance plugged in. Unplug from outlet when not in use and before serving.
2. Electric shock could occur if used outdoors or on wet surfaces.
3. Keep away from children. Extractor is not to be used as a toy.
4. Use only as described in this manual. Use only manufacturer's recommended parts.
5. Do not use extractor with damaged power cords.
6. Do not abuse the power cord: Do not pull or carry extractor with the power cord. Do not use the power cord as a handle. do not close doors on the power cord. Do not pull power cord around sharp edges or corners. Do not run the extractor over the power cord. Do not keep power cords around heated surfaces.
7. Do not unplug by pulling on electric power cord. To unplug, grasp the plug, not the electric power cord.
8. Do not handle plug or appliance with wet hands.
9. Do not put any object into openings. Do not use with any opening blocked; keep free of dust, lint, hair and anything that may reduce air flow.
10. Keep hair, loose clothing, fingers and all parts of body away from openings and moving parts.
11. Do not pick up anything that is burning or smoking, such as cigarettes, matches or hot ashes.
12. Do not use extractors without filters.
13. Turn off all controls before unplugging from electric outlet.
14. Use extra care when cleaning on stairs.
15. Always wear safety equipment and appropriate clothing when operating the extractor.
16. Do not use extractor to pick up flammable or combustible liquids such as gasoline or use in areas where such items may be present.
17. Connect to a properly grounded electric power outlet only.
18. Do not attempt to service the extractor while appliance is plugged in.

EXTRACTOR OVERVIEW

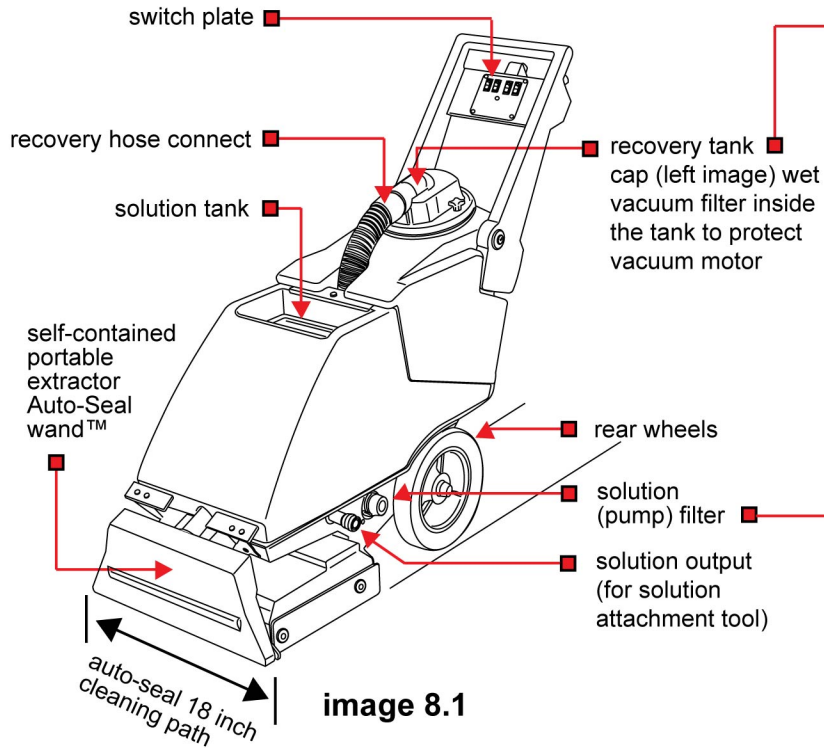


image 8.1

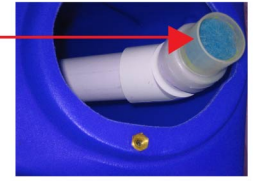


image 8.2

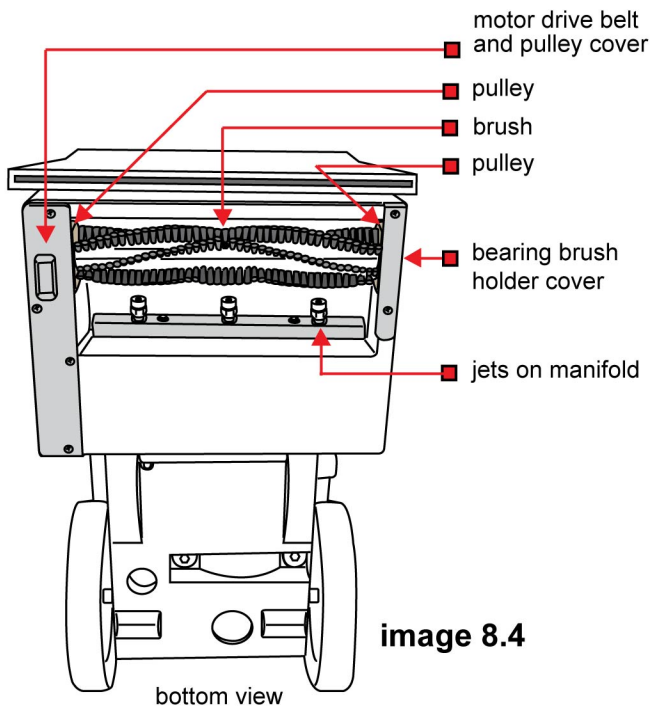
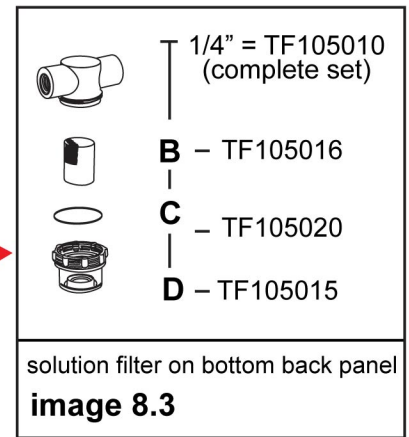


image 8.4

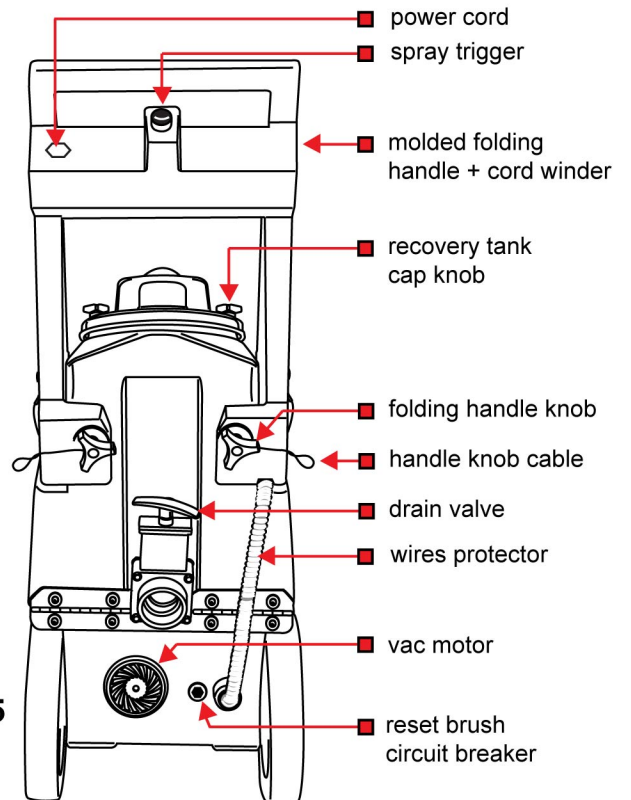


image 8.5

ASSEMBLY

CONNECT ELECTRIC POWER CORD

To protect the grounding plug, this plug is to be used only with a proper grounding type (three prong) receptacle. Do not break off or pull out the grounding blade. (see image 9.1)

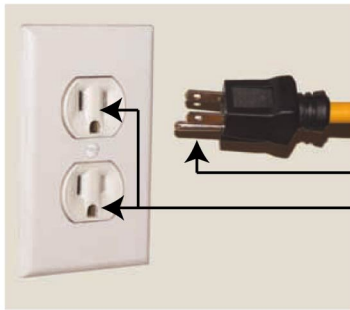


image 9.1

ground blade (DO NOT break off)
three prong receptacle

IMPORTANT TO KNOW

This unit can operate two different ways to do the job, use with power head (come with) and operate with optional attachment tool and hoses.(see blow)

CONNECT HOSE (with optional wand and hoses operation, without using power head)

Disconnect original vacuum hose from hose connect. (see image 9.2 step by step) Connect vacuum and solution hoses to the machine and the attachment tool (wand). One end of vacuum hose to vacuum hose intake connection on the machine and other end to attachment tool (the wand), One end of solution hose connect to machine quick connect and other end to attachment tool (wand) quick connector. Solution hose-one end has male quick connect and the other end has female quick connect. See below images 9.2

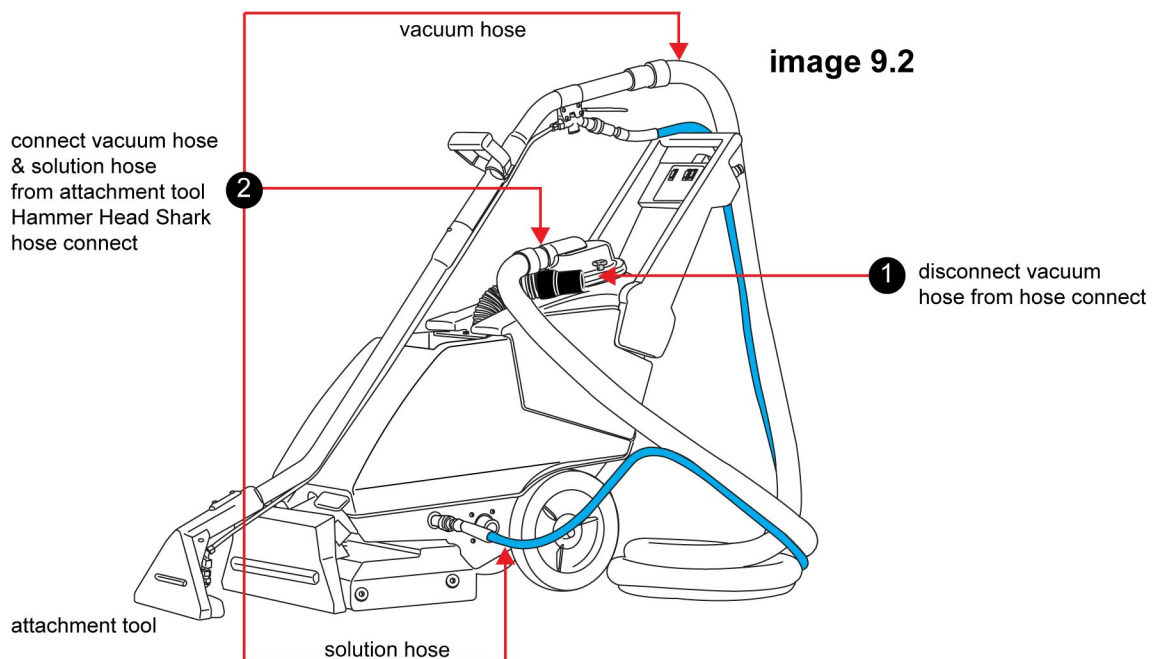


image 9.2

connect vacuum hose
& solution hose
from attachment tool
Hammer Head Shark
hose connect

disconnect vacuum
hose from hose connect

OPERATING THE EXTRACTOR

USEING POWER HEAD

TRANSPORTATION POSITION

Tilt back on rear wheels for moving without cleaning. See image 10.1.

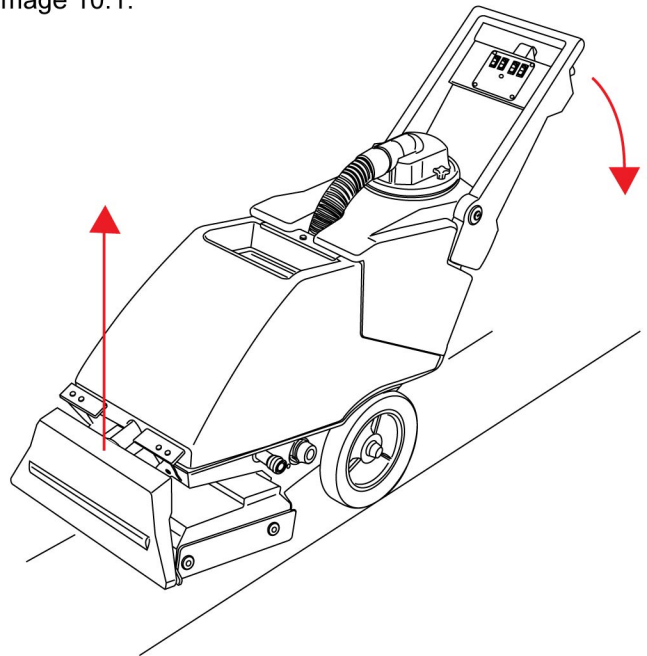


image 10.1

OPERATION POSITION

Just guide desire area to clean, lower power head and walk backward. See image 10.2.

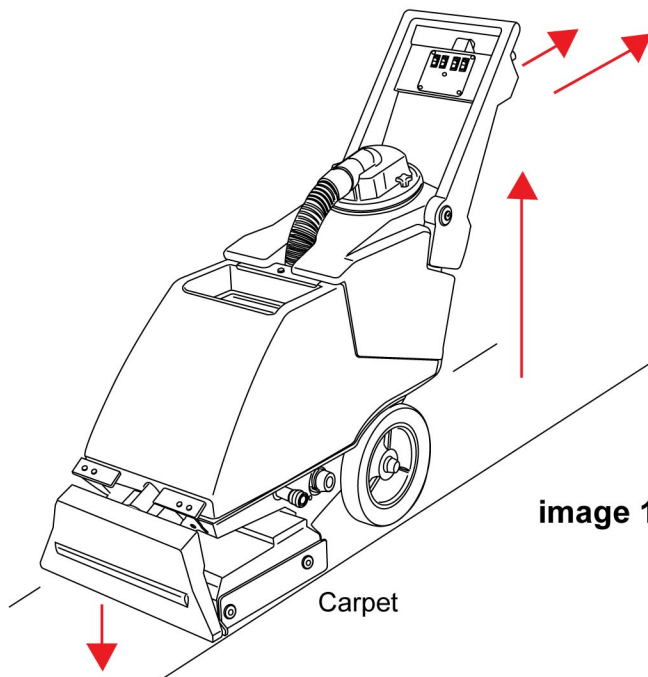


image 10.2

OPERATING THE EXTRACTOR

BEFORE OPERATING:

Read the manual carefully and completely before attempting to operate the extractor. Make sure the unit is plugged into an electrical outlet with the same voltage as shown on the extractor.

1. When and if plugging in a dual power cord extractor; each cable should be on separate circuits. When this is accomplished a green light will turn on when the "Circuit Test Switch" is pressed on the switch plate. If the light does not turn on, this indicates that you are not on two separate circuits and are increasing your chance of a circuit blowout.
2. Always thoroughly pre-vacuum the surface to be cleaned. Using an upright vacuum cleaner (or the extractors dry vacuum with optional dry attachment).
3. Pre-spray the cleaning area with recommended cleaning solution for the best results.
4. Fill solution tank with clean water.
5. Connect both the vacuum hose and solution hose to proper locations. See image on "Assembly" page.
6. Make sure the drain hose is closed and the recovery tank lid is secured before turning on the vacuum and pump switches.

DURING OPERATING: using with power head

1. Leave recovery hose connect with extractor and turn power head switch/brush spray switch on the switch plate.
2. Make sure drain hose is connected (see image 10.1) and recovery tank lid is closed before turning on vacuum and pump switches. (If left open, there will be no suction)
3. This self contain cleaning extractor is design to clean without pulling hard, just guide desire area to clean by lowering power head (cleaning position) and pull through. See image 10.2
4. Tilt back on rear wheel for moving around the machine without cleaning. See image 10.1
5. Continue cleaning until the clean water tank is empty and/or recovery tank is full or until cleaning job is done.
6. Disconnect power cord from power plug, then empty the recovery tank into bucket or other proper drain area.

DURING OPERATING: using with options attachment tool and hose

1. Disconnect recovery hose from machine and connect desire attachment tool with vacuum hose to vacuum intake connection on the extractor and the solution hose to the solution connection on the machine. See "assembly" page.

Consult your sales representative for more information on cleaning methods

OPERATING THE EXTRACTOR

DURING OPERATING: using with power head

1. Leave recovery hose connect with extractor and turn power head switch/brush spray switch on the switch plate. See image 12.2.
2. Make sure drain hose is connected (see image 12.2) and recovery tank lid is closed before turning on vacuum and pump switches. (If left open, there will be no suction)
3. This self contain cleaning extractor is design to clean without pulling hard, just guide desire area to clean by lowering power head (cleaning position) and pull through. See image 12.2
4. Tilt back on rear wheels for moving around the extractor without cleaning. See image 12.1
5. Continue cleaning until the clean water tank is empty and/or recovery tank is full or until cleaning job is done.
6. Disconnect power cord from power plug, then empty the recovery tank into bucket or other proper drain area.

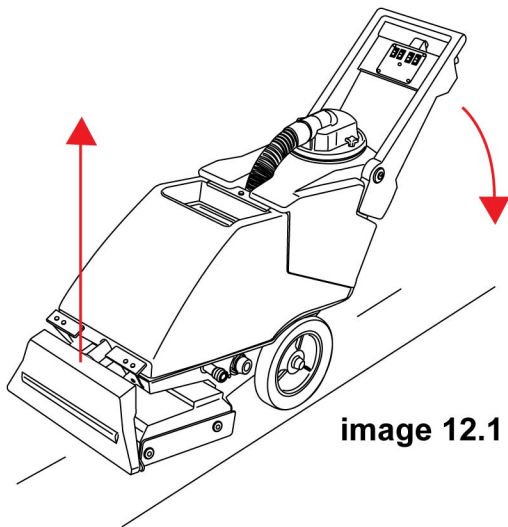


image 12.1

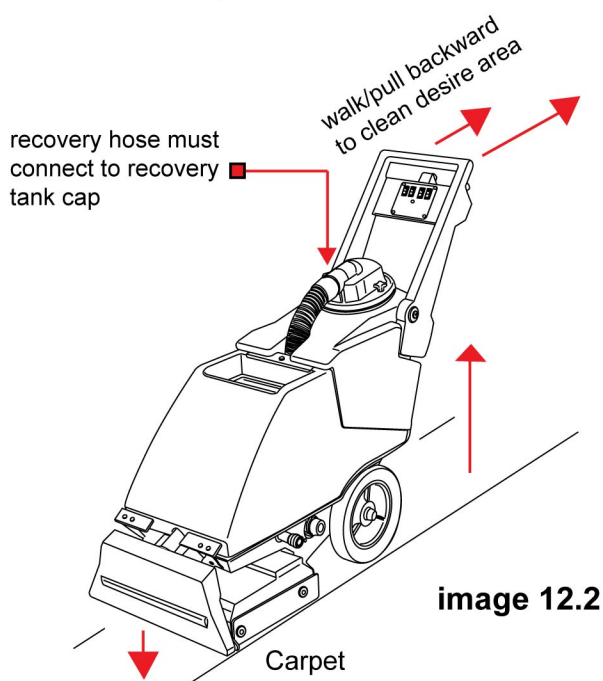
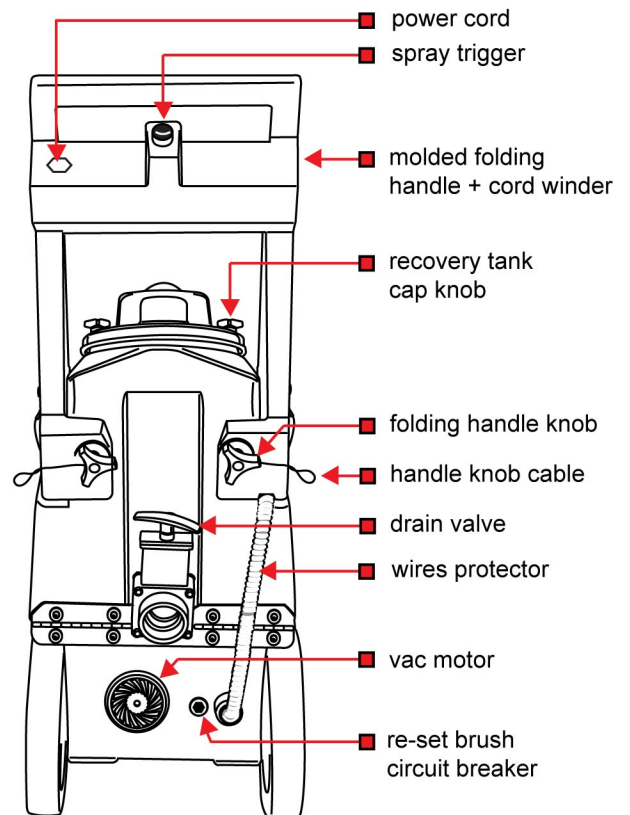


image 12.2



OPERATING THE EXTRACTOR

OPERATING:

1. Start and continue cleaning until the clean water tank is empty and/or recovery tank is full or until cleaning job is done.
2. In case foam is detected in recovery tank and hose, use defoamer to prevent damage to the vacuum motors.

AFTER OPERATING:

1. Turn off all the switches and disconnect electric power cord from power plug, then empty the recovery tank into a bucket or another proper drain area. (see below image 13.1)
2. Remove remaining water from clean water tank, disconnect the vacuum hose from wand (optional) and/or insert the 3 ft. to 5 ft. long vacuum hose, which come with extractor. (see image 13.2) into clean water tank. Vacuum out all the excess water.
3. Drain and thoroughly clean the recovery tank. At this point the tank can be rinsed while dumping.
4. The vacuum filter (wet filter) have to be rinsed and cleaned thoroughly when it's still wet. (see below image 13.3.) See "Preventative Maintenance" page. Wrap power cords around handle for storage. Do not use solution or recovery tanks for storage, extractor can be damaged.

Consult your sales representative for more information on cleaning methods.

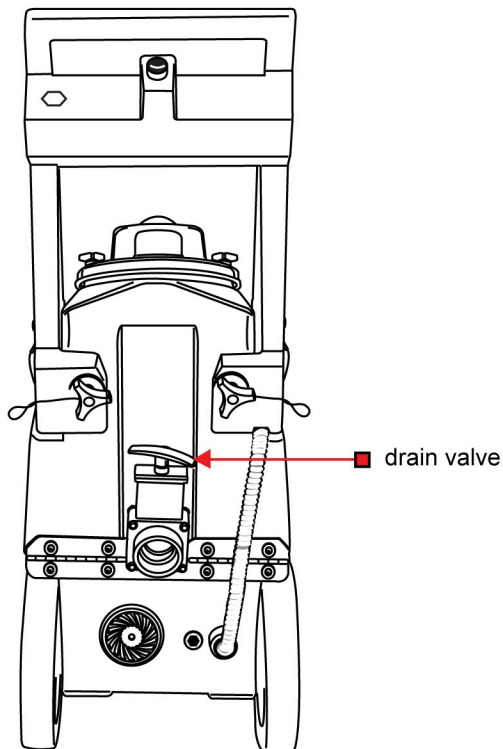


image 13.1

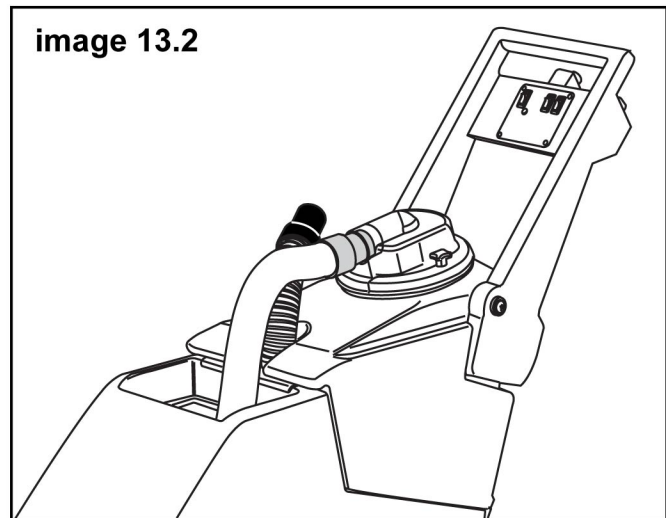


image 13.2

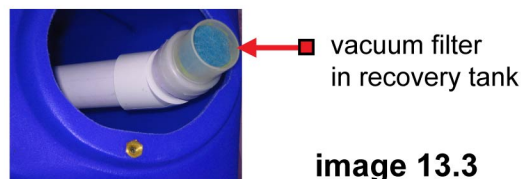


image 13.3

PREVENTATIVE MAINTENANCE

AFTER EACH USE: CLEAN, LUBRICATE, ETC...

1. Thoroughly clean all equipment and accessories after each use.
 - a. Rinse power head, brush, jets, solution tank, recovery tank, and hoses with clean water.
 - b. Flush entire solution system with clean water. This includes all solution hoses and attachment tool. Do not allow liquid with cleaning chemicals to remain in the extractor.
 - c. Clean all filters (see below images: solution tank filter, solution line filter, vacuum filter. Optional: dump pump and dump pump filter)
2. Lubricate all quick connects as needed.
3. Do not use the same container to fill the solution tank that is used to empty the waste tank. This would result in putting dirt and debris into the solution lines that will block filters, orifices, and generally degrade the systems.
4. Keep extractor out of extreme temperatures. (i.e. Freezing temperatures will make water expand, and will damage pump, fittings, valves, etc.)
5. Turn off the extractor whenever not in use. Do not walk away from an extractor, while unattended the extractor can cause excessive pressure that is not good for it.
6. Check for loose or frayed wires.

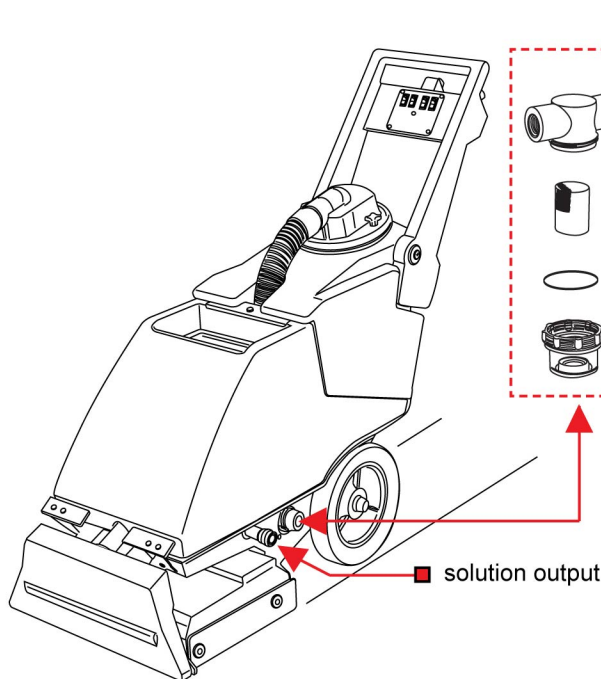


image 14.1

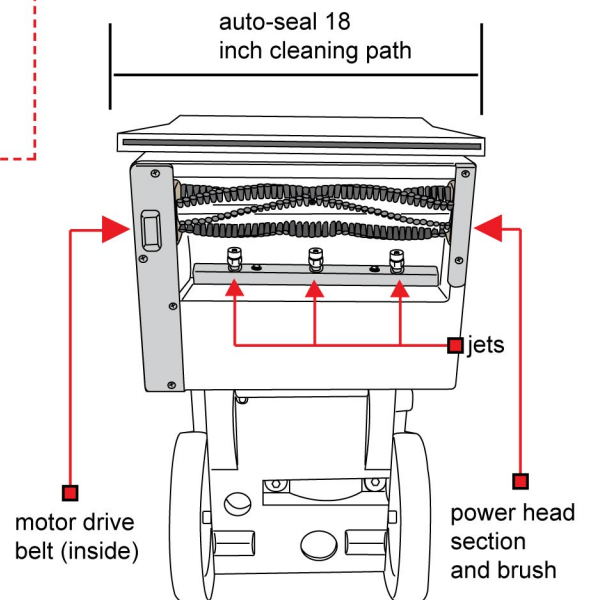


image 14.2

PREVENTATIVE MAINTENANCE CONT.

A clean vacuum filter (*) must be installed in the recovery tank at all times to protect the motor. (See image 15.1)

Serious damage to vacuum motors will occur when vacuum filter is not installed. (See image 15.2)

image 15.1

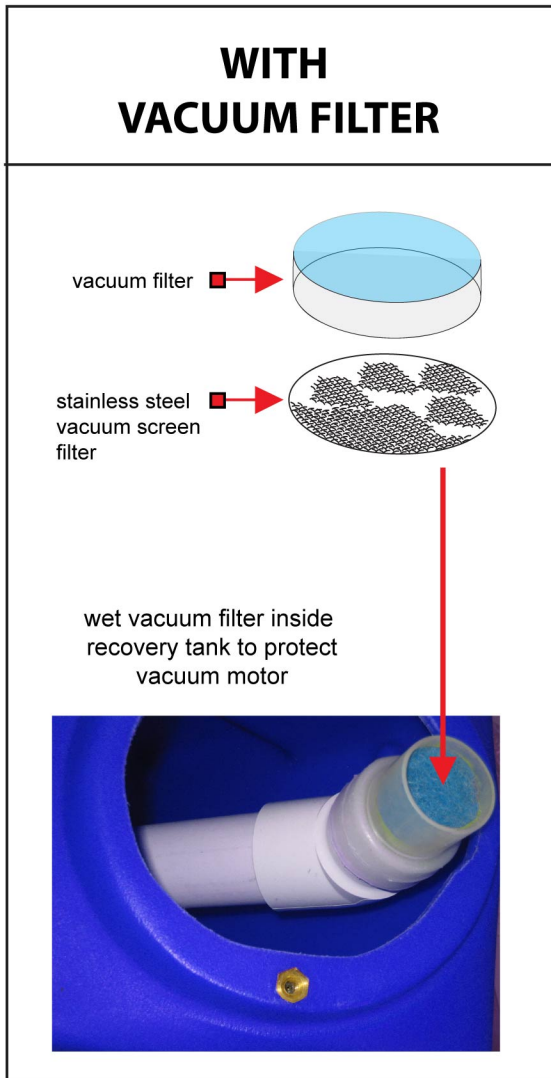


image 15.2



HOW TO

HOW TO USE ATTACHMENT TOOL

BETTER TECHNIQUE WILL HELP WITH DRY TIME, CARPET LIFE, AND OVERALL COST.

1. To clean, Pull the tool over the carpet with solution control valve lever pressed. (image 16.2, 16.1)
Press the lever only while pulling back on the wand. (image 16.3, 16.2) Pull the tool with the valve lever pressed to insure the best results.
2. Release the solution control valve lever (image 16.4, 16.1) and pass the tool over the dampened area once or twice by pulling or pushing the tool back and forth. Repeat the procedure if necessary.

NOTE: The weight of the tool and the vacuum suction are sufficient to obtain idea results. Additional physical pressure is unnecessary.

Continue cleaning until the recovery tank becomes full (or whenever the job is done).

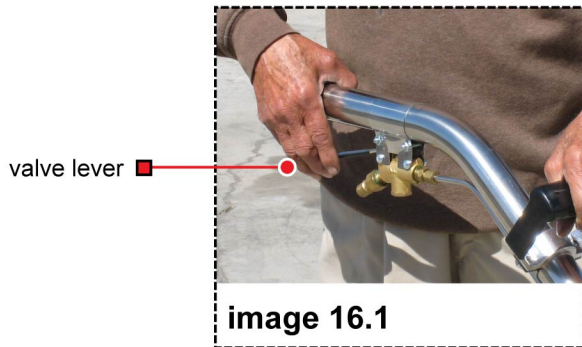


image 16.1

Press the lever to open the valve

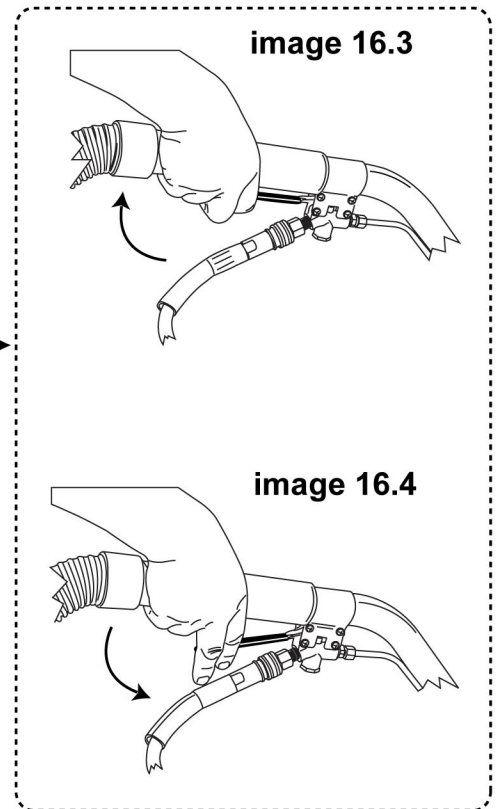


image 16.3

image 16.4

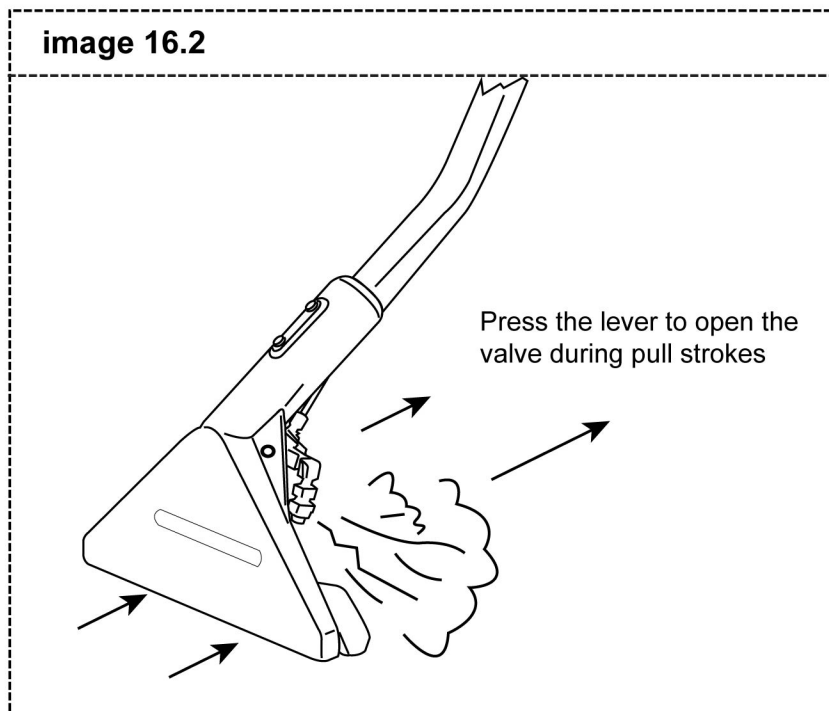


image 16.2

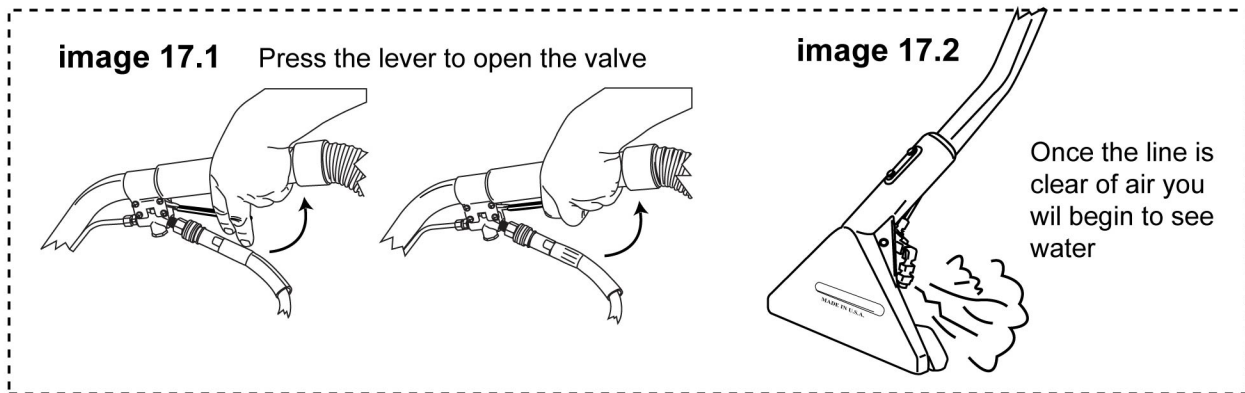
Press the lever to open the valve during pull strokes

17 HOW TO

HOW TO BLEED

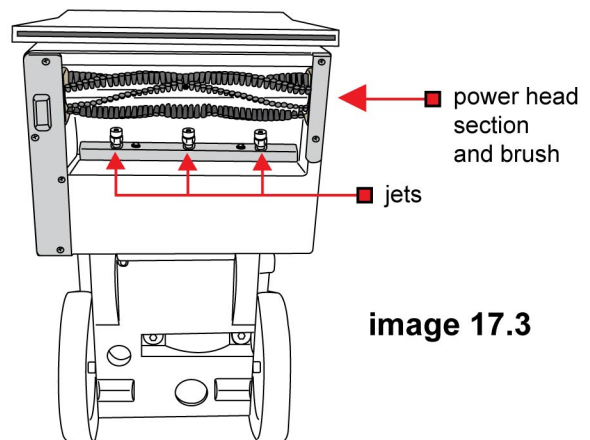
WITHOUT ELECTRIC INSTANT WATER HEATER: With optional attachment tool

1. Fill solution tank with clean water.
2. Connect desired tool and extractor with vacuum hose and solution hose.
3. Turn pump switch to "ON".
4. Open trigger valve from your attachment tool (see image 17.1), and spray until all air is out from the solution system. (see image 17.2) It might take 2-4 minutes depending on the jet size from the attachment tool.



WITHOUT ATTACHMENT TOOL:

1. Fill solution tank with clean water.
2. Turn pump switch to "ON".
3. Spray until all air is out from the solution system. It might take 2-4 minutes depending on the jet size from the power head section.
4. The quickest way to bleed air out is taking one jet out and then following steps 1 through 4 before replacing the jet. (see image 17.3)



TROUBLE-SHOOTING

TROUBLE-SHOOTING

ELECTRICAL SYSTEM		
PROBLEM	POSSIBLE CAUSE	HOW TO REPAIR
No electrical power (Component or extractor not turning on)	<ol style="list-style-type: none"> 1. Check the outlet & the plug 2. Damage cord 3. Circuit breaker off or fuse blown 	<ol style="list-style-type: none"> 1. Plug in properly 2. See authorized repair person 3. Flip circuit breaker on or replace fuse. Unplug other equipment using the same circuit. Make sure cords are plugged into proper amp circuits.
Switch is turned on, power is intermittent to all motors	<ol style="list-style-type: none"> 1. Faulty electrical cable 2. Defective switch 3. Loose terminal or corroded connector 	<ol style="list-style-type: none"> 1. to 3.: See authorized repair person
Electric shock	<ol style="list-style-type: none"> 1. Equipment or electric cord not grounded 	See authorized repair person
PUMP SYSTEM		
Pump motor stopped	<ol style="list-style-type: none"> 1. Pressure build up cause by jet clogged. 2. Thermal overload (over heated) 3. Damaged motor or rectifier 4. Pump switch defective 5. Loose wire connection 6. Pump pressure switch defective 7. Faulty motor 	<ol style="list-style-type: none"> 1. Released pressure by opening up (press) the lever on the Wand. 2. Turn off the pump and heater switch and wait 20-30 minutes 3. to 7: See authorized repair person
Loss of pump pressure with wand valve open and/or uneven or weak spray from the jet tips	<ol style="list-style-type: none"> 1. Clogged or dirty spray tip 2. Accumulated dirt in solution line 3. Dirty or clogged filters 4. Pump check valve worn or dirty 5. Malfunction in the wand valve 6. Hose quick connect bad or clogged with foreign object 	<ol style="list-style-type: none"> 1. Clean jets and screens 2. Flush system w/water 3. Clean 4. to 6: See authorized repair person

TROUBLE-SHOOTING

VACUUM SYSTEM		
PROBLEM	POSSIBLE CAUSE	HOW TO REPAIR
Vacuum motor on with little or no vacuum or suction at wand/ upholstery tool	<ol style="list-style-type: none"> 1. Lid is not properly closed 2. Drain hose/valve not connected/ closed 3. Hose or wand clogged 4. Accumulated dirt on the ball float cage and filter 5. Worn out lid gasket 6. Lint and dirt build-up on wand 7. Damaged vacuum hose 8. Loose or no vacuum hose connection inside the extractor 9. Foreign object accumulated in vacuum fans 	<ol style="list-style-type: none"> 1. Close the lid 2. Connect hose or close optional drain valve 3. Clean hoses and wand 4. Clean or replace the filter 5. Replace the gasket 6. Clean the wand 7. Replace 8. See authorized repair person 9. See authorized repair person
Vacuum motors run intermittently		See authorized repair person

ETC...

PROBLEM	POSSIBLE CAUSE	HOW TO REPAIR
No water from the jet	<ol style="list-style-type: none"> 1. Extractor not plugged in (or circuit breaker off) 2. Switch is not turned on (bad switch?) 3. Empty solution tank 4. The hose is not connected properly 	<ol style="list-style-type: none"> 1. Plug in working outlet 2. Turn the switch on. See authorized repair person for new switch 3. Fill the solution tank with water 4. Connect hose properly
Water or foam coming out from exhaust	<ol style="list-style-type: none"> 1. Over foaming of water in recovery tank 2. Elbow fitting in recovery tank pointing wrong direction (i.e. pointed toward the ball-float cage) 3. No ball-float cage 4. Too much water in the recovery tank 	<ol style="list-style-type: none"> 1. Put defoamer in the recovery tank or put it in the end of vacuum hose with vacuum motor running 2. Point elbow away from ball-float cage 3. Install ball-flat 4. Drain the recovery tank

CAUTION:

1. DISCONNECT POWER CORDS FROM THE OUTLET BEFORE DOING ANY MAINTENANCE WORK.
2. WHEN ELECTRIC POWER IS ON PROTECT YOURSELF FROM ELECTRIC SHOCK & HEAT

TROUBLE-SHOOTING

HEAT SYSTEM		
PROBLEM	POSSIBLE CAUSE	HOW TO REPAIR
Water not heating up	<ol style="list-style-type: none"> 1. Air in the heater 2. Bad thermostat 3. Heating element burned out 4. Safety valve open 	<ol style="list-style-type: none"> 1. Bleed (See "How to bleed" page) 2. Replace 3. Replace 4. Check safety valve and close it
<p>CAUTION:</p> <ol style="list-style-type: none"> 1. DISCONNECT POWER CORDS FROM THE OUTLET BEFORE DOING ANY MAINTENANCE WORK. 2. WHEN ELECTRIC POWER IS ON PROTECT YOURSELF FROM ELECTRIC SHOCK & HEAT 		

WARNING: This product contains chemicals known to the State of California to cause cancer, birth defects or other reproductive harm.

ADVERTENCIA: Este product contiene substancias quílicas reconocidas par el estado de California como causantes de cancer, anomalias congenitas y otros danos reproductivos.



Manufacturer of commercial & environmental cleaning equipment

1633 WEST 134th. STREET GARDENA, CA 90249-2013

TEL: 310 323 1134 FAX: 310 323 8397

WWW.TIMBUCKTOOMFG.COM

© All rights reserved