



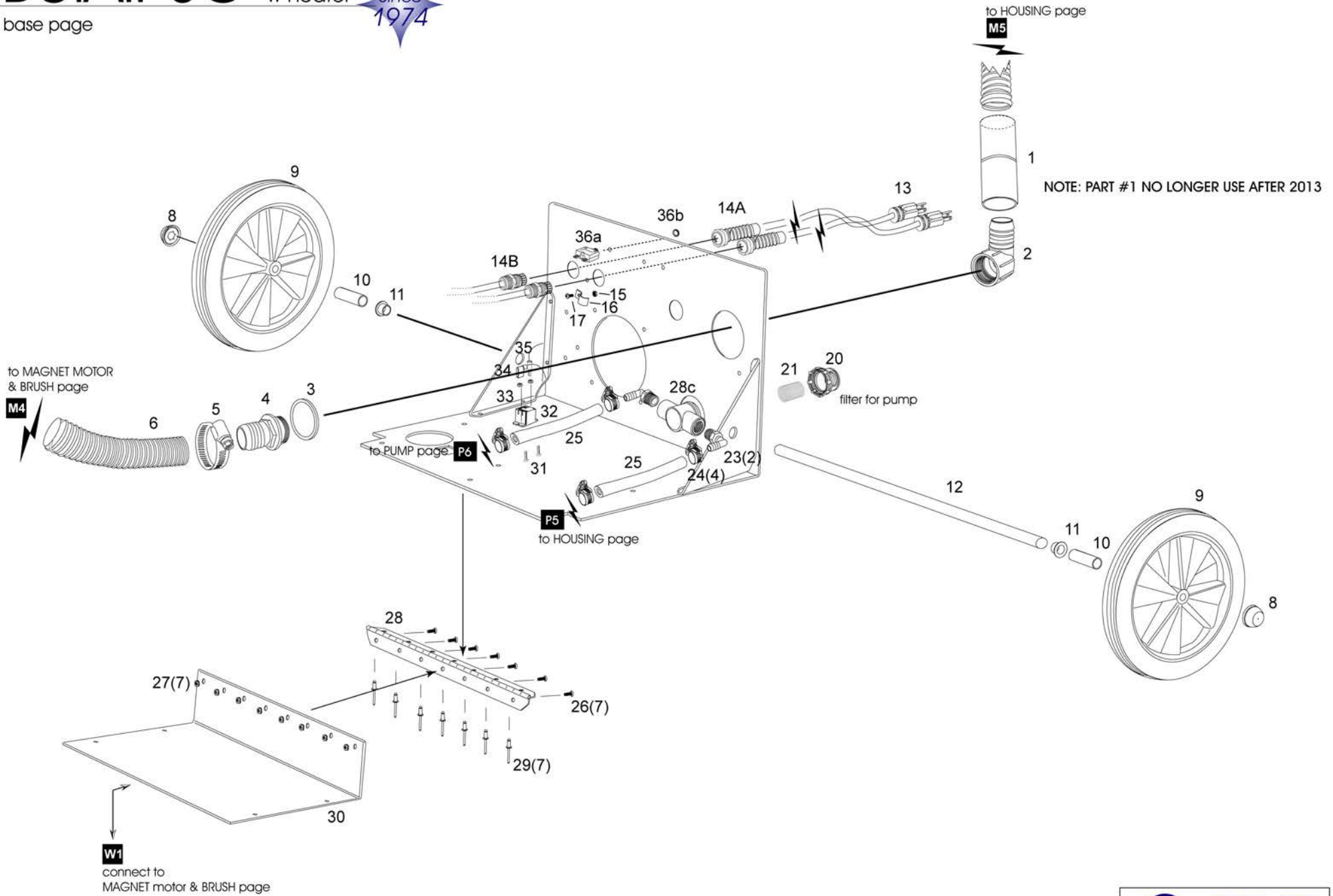
Timbucktoo

BelAir-SC with Heater schematic set

06/2013

BelAir-SC-w heater

base page

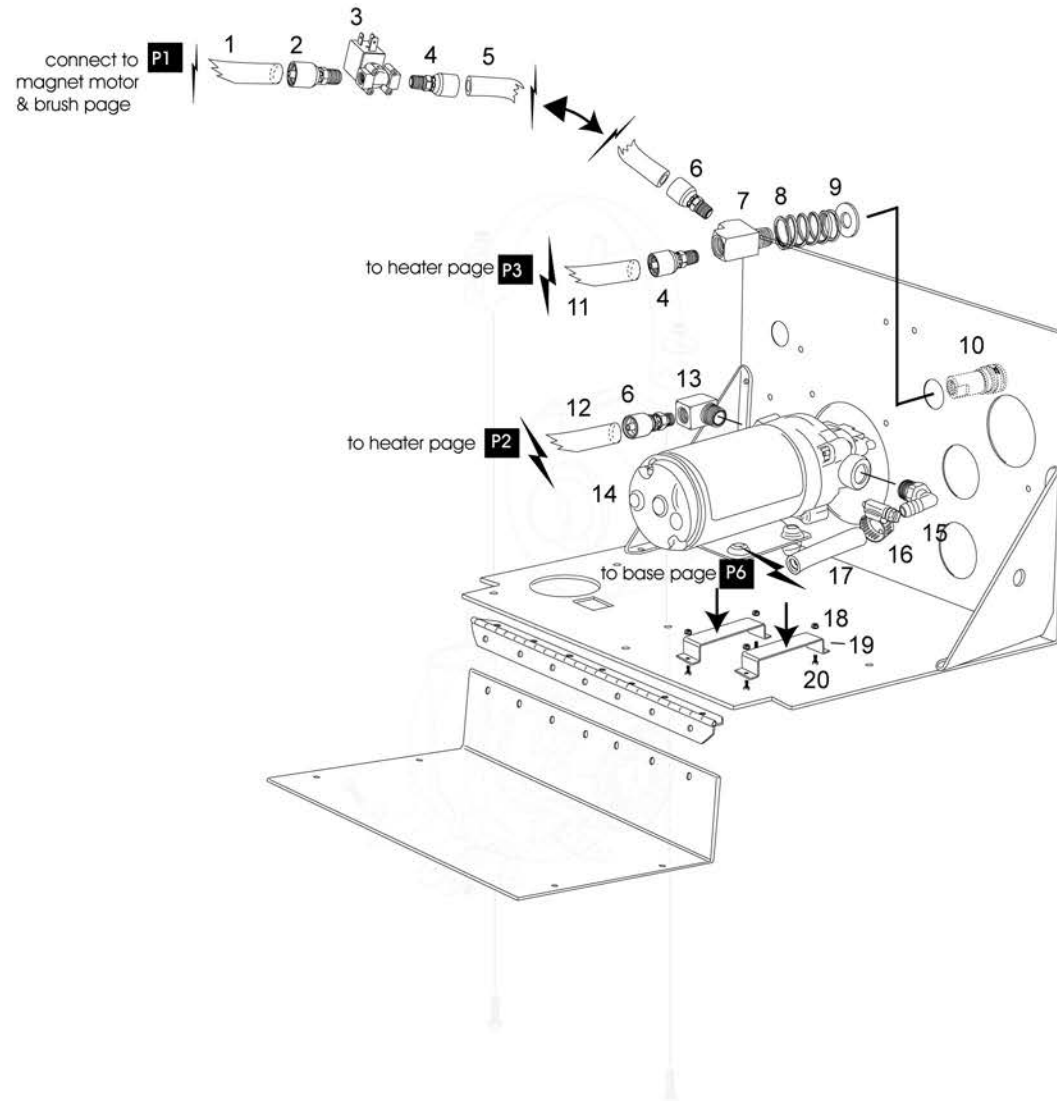


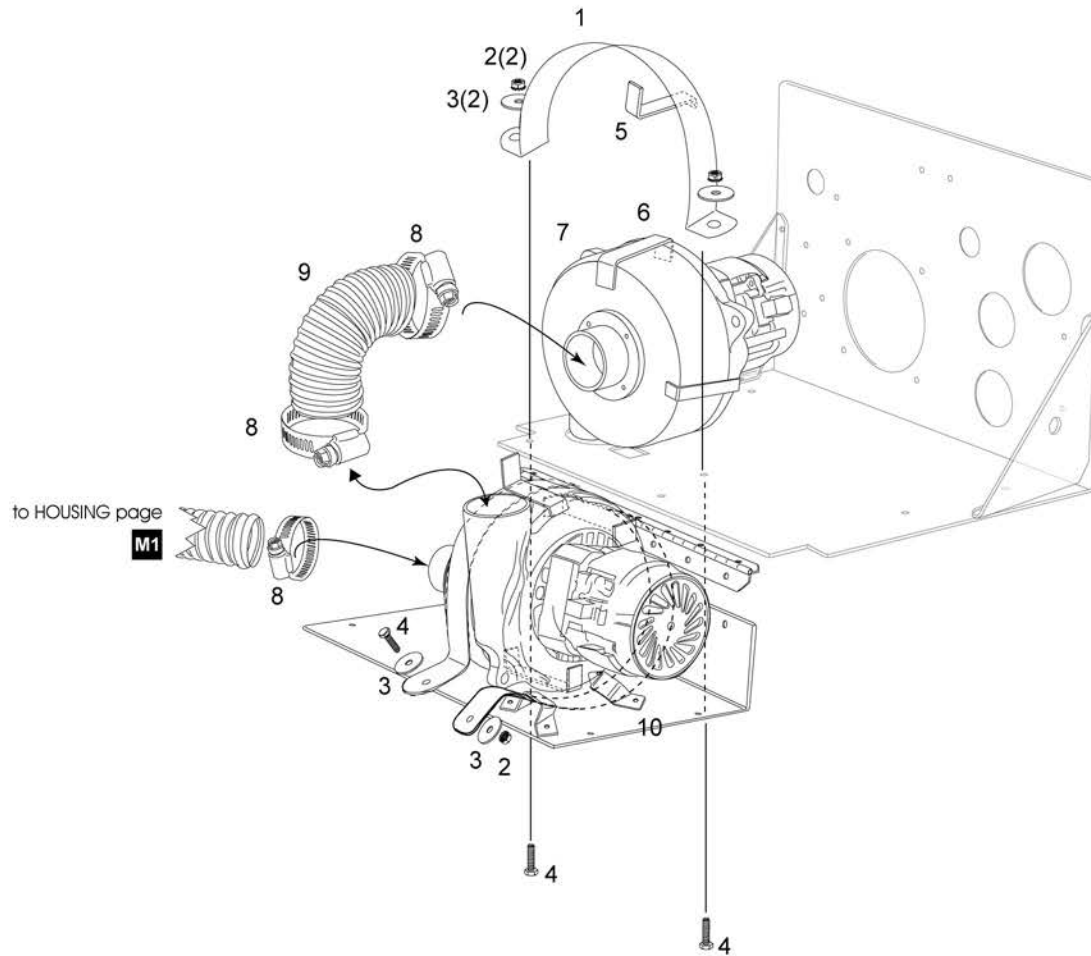
06062012

01302013

BelAir-SC-w heater

pump page

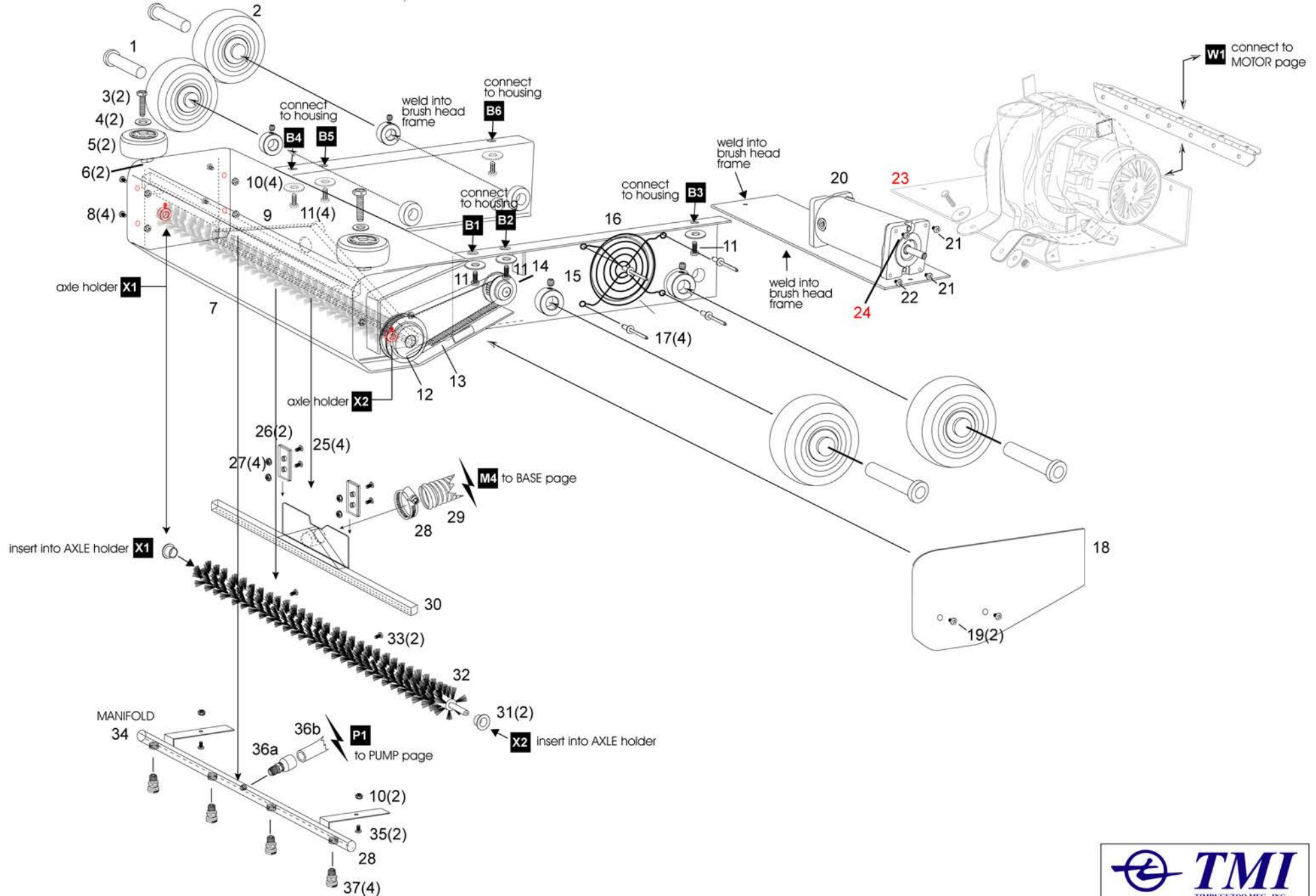




BelAir-SC-w heater

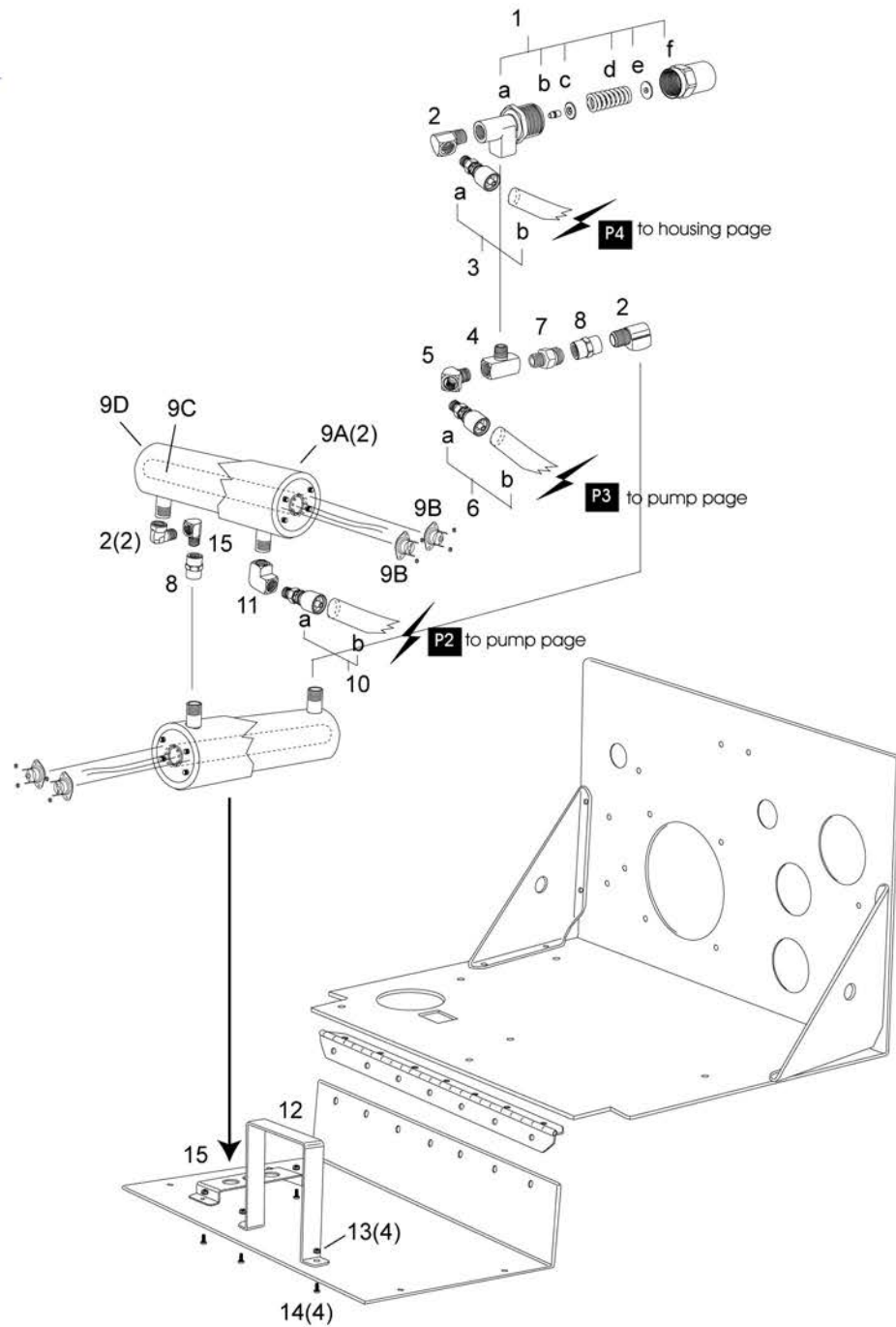
Since
1974

magnet motor & brush page



BelAir-SC-w heater

heater page



Belair SC
 Base
 2-2 Vac Motor
 170 PSI
 12" Wheel

ITEM No.	PARTS No.	QTY	DESCRIPTION
1	TV140148	1	1-1/2 HOSE X1-1/2 HSE.COUPLING
2	TB261510	1	1-1/2" 90 DEG.HOSE BARBx1.5FPT
3	TB231601	1	1-1/2" X 1/8 GASKET(THIN)
4	TB231516	1	1.5"HOSE BARB W/FLANGE BLACK
5	ID57200	1	1/2 SS BN5/16PLT, 3/4 TO 1-3/4
6	TV151194-36	-	1-1/2" WIRE BRAID INTRNL VAC H (36")
7	TP224010	1	BELAIR-SC BASEPLATE/BACK PANEL
8	FS07008	2	1/2" AXLE [ROD] HOLDER
9	WC131299	2	12 X 2.0 X 1/2 -3/4 SEMI PNEU.
10	FW340816	2	1/2"ID.X1" SPACER(AXEL SPACER)
11	MBS080908	2	1/2"X1/2"L-PLT BEARING W/FLANG
12	FS05082212	1	AXLE(ROD)#T-1/2"x22-3/4"
13	TE101143	2	14-3SJTW-A POW.CORDX25"W/15M.P
14	TE101500	2	CORD RETAINER (COMPLETE)
B	TE101510	2	CORD GROMMET
15	FN1021032	1	10X32 KEPS NUT ZINC
16	TP111430	1	3/8 AXLE HOLDER/PWR CORD HLDR
17	FB1032116	1	10-32X1 PH.PAN HEAD ZN
18	TP224101	1	XPC-12000 BASE SIDE/REAR WH BCK L
19	TP224102	1	XPC-12000 BASE SIDE/REAR WH BCK R
20	TF105015	2	BOWL (CLEAR)
21	TF105016	2	SCREEN-80 MESH
22	TF105013	2	BODY
23	N4MEB4	2	90DEG.HB1/4HOSEX1/4MPT WH.NYL.
24	ID57060	2	H.C.1/2 SS BN,PLT,3/8TO7/8
25	TH3630450-36	2	1/4I.D.250WP 1000BP BLUE (36")
26	FB032408	7	10-32x1/2" PH. PAN HEAD S/S
27	FN1011032	7	10X32 S/S KEPS NUT
28	FS043612	1	STEEL FLAT HINGE 3X.074"X12"
29	FR03604	7	AL/ST 6-4 RIVET
30	TP224010	1	BELAIR-SC BASEPLATE/BACK PANEL
31	FB032108	2	10-32x1/2 PN.PH SCREW S/S
32	TE205217	1	POWER RELAY CIT 120V/60HZ 30A
33	FN1011032	2	10X32 S/S KEPS NUT
34	TE1866	1	16-14 NYL. FLAG FEMALE
35	TE1851	1	16-14AWG 250FEM.QUICK CON.3/16
36	TE625250	1	0.5 AMP CIRCUIT BRAKER

BelairSC
 Housing Page
 2-2 Vac Motor
 170 PSI
 12" Wheel
 Heater

ITEM No.	PARTS No.	QTY	DESCRIPTION
1	TPW20820	1	STAND PIPE BASE S/S WASHER 2-1
2	TB231920	1	1.5" x 1/8" GASKET
3	TB436212	1	REDUCING/M ADT1-1/2MPTx1-1/4SO
4	PM244158	1	STAND PIPE 1-1/4"O.DX15.5"
5	PM23150002	1	1.66" STAND PIPE DUCKING FLAG
6	ID67321	1	1/2 SS BN,SS, 1-9/16 TO 2-1/2
7	PM10142	1	BALL FLOAT DUCT ONLY
8	PM10144	1	BALL FLOAT CAGE W/BALL (9G18)
9	PM10150	1	VACUUM FILTER(BALL-FLOAT)
10	TC13201691	1	BELAIR AIR RECOVERY TANK(GRANI
11	FR01402	3	S/S 4-2 RIVET
12	FS011080	1	S/S LID HINGE X 8"
13	TMC20717	1	BELAIR RECOVERY TANK LID ONLY
14	FR01406	3	S/S 4-6 RIVET
15	TSB7002	1	BELAIR-SC SPR SW LEVER HOLDER
16	FB032406	2	10-32 X 3/8 PH PAN HEAD S/S
17	TSB7001	1	BELAIR-SC SPRAY SWITCH LEVER
18	TB231516	2	1.5"HOSE BARB W/FLANGE BLACK
19	THD150016	2	1.5"x16" DRAIN TUBE
20	ID57280	2	1/2 SS BN,PLT, 1-5/16 TO 2-1/4
21	TSB5003	1	BELAIR SWTCH PLT 3VAC,1PUM,1AX
22	TE202032	1	FANTOM PUSH BOTTON SWTICH
23	FB1032108	4	10-32X1/2PH.PAN HEAD ZN
24	TE202012	4	CV/ON-OFF ROCKER SWITCH (TMI)
25	TE1805	1	16-14 AWG TERMINAL RING #10
26	TB231715	1	90DEG.ELBOW 1.5SPIG X 1.5FPT
27	TB231718	2	90 DEG. ELBOW 1.5 SPIG X 1.5 S
28	MS35G26225	1	LID SEAL[VACUM SEAL](BEL&WHIS)
29	TV150299	-	1-1/2"VAC.HOSE WIRE BRAID VL B (24")
30	TB261510	1	1-1/2" 90 DEG.HOSE BARBx1.5FPT
31	TC132014	1	BELAIR SOL.TANK W/HANDLE GRAY
32	TMC20720	1	BELAIR SOL.TANK LID
33	TSP10601	2	3/8 FPR SPIN FITTING
34	2202P46	1	90 DEG.ST.ELBOW 3/8MPT X 1/4FP
35	ID62020	2	5/16 S/SBAND 1/4HEX HD.1/4-5/8
36	TH3630499-24	-	1/4 I.D. 250 WP 1000 BP BLACK (17")
37	125HBL46	1	HOSE BARB1/4 HOSEX3/8 MPT
38	TH6400450-17	-	1/4" BLUE NEPTUNE 3000 (24")

Belair SC
 Pump
 2-2 Vac Motor
 170 PSI
 12" Wheel

ITEM No.	PARTS No.	QTY	DESCRIPTION
1	TH6400499-24	-	1/4"BLACK NEPTUNE 3000 (24")
2	PFN204102	1	1/4HOSEx1/8MPT SOLID MALE STEM
3	TE712123	1	120 Vac 220 PSI SOLENOID VALVE
4	PFN204204	2	1/4HOSE X 1/4MPT SWIVEL MALE S
5	TH6400499-22	-	1/4"BLACK NEPTUNE 3000 (22")
6	PFN204104	2	1/4HOSE X 1/4MPT SOLID MALE ST
7	2225P4	1	STREET TEE 1/4F X F X MPT
8	FS091624	1	Q.C. MOUNTING SPRING
9	FW609203	1	9/16"IDx1.25"ODx0.09"AL WASHER
10	BH2-6020	1	BRASS COUPLER 1/4"FPT -FST
11	TH6400499-27	-	1/4"BLACK NEPTUNE 3000 (27")
12	TH6400499-20	-	1/4"BLACK NEPTUNE 3000 (20")
13	2202P46	1	90 DEG.ST.ELBOW 3/8MPT X 1/4FP
14	866-520-2141	1	115V. 120 PSI P/VITON/INT. 100
15	N6MEB6	1	90DEG.H.B.3/8HOSEX3/8MPT WH.NY
16	ID57060	1	H.C.1/2 SS BN,PLT,3/8TO7/8
17	TH3630499-16	-	1/4 I.D. 250 WP 1000 BP BLACK (16")
18	FN1020421	4	1/4X20 KEPS NUT
19	TP2243108	2	PUMP BRACKET FOR BELAIR-SC
20	FB022416	4	1/4-20X1 HEX TAP BOLT-ZINC

Belair SC
 Motor
 2-2 Vac Motor
 170 PSI
 12" Wheel

ITEM No.	PARTS No.	QTY	DESCRIPTION
1	TP200109	2	MOTOR STRAP 9-1/2" WHISPPER
2	FN1020421	3	1/4X20 KEPS NUT
3	FW302424	4	1/4X1-1/4 ZINC FENDER WASHER
4	FB022416	3	1/4-20X1 HEX TAP BOLT-ZINC
5	TP400401	4	MOTOR CLAMP 5.7-2 STAGE MOTOR
6	TP400405	2	VAC STRAP GUARD
7	11639200-A/C	1	120V/5.7"2STG.MOTOR W/ADAPTER
B	11639200-C/C	1	120V/5.7"2STG.W/1-1/2"ADAPTER
8	ID57320	3	1/2 SS BN,PLT, 1-9/16 TO 2-1/2
9	TV200394	-	2" WIRE BRAID INTERNAL VAC HSE
10	TP2021214	1	MOTOR STRAP HOLDING BRACKET

Belair SC
 Magnet motor & brush
 2-2 Vac Motor
 170 PSI
 12" Wheel

ITEM No.	PARTS No.	QTY	DESCRIPTION
1	TM01334		1/2" x 2-3/4" WHEEL AXEL S.S
2	WC130542	4	3.5"X1-3/8"NONMARK WHL1/2"BORE
3	FB021428	2	1/4-20X1-3/4 HEX TAP BOLT S/S
4	FW302300	4	1/4 S/S U.S.S. CUT WASHER
5	WC130521	2	2" X 1" NON MARKING WHEEL
6	FN1010421	2	1/4X20 S/S KEPS NUT
7	TP224020	1	BELAIR-SC POWER BRUSH BASE
8	FB1032008	4	10-32X1/2PH.FLAT HEAD ZN
9	TP2242375	1	BRLAIR-SC BRUSH BRACKET LF
10	FN1011032	8	10X32 S/S KEPS NUT
11	FB032208	6	10-32 X 1/2 IND HEX HEAD S/S
12	MTP4409	1	P44x3M 09 1/2 BORE TIMMING PLY
13	MTB3333M09	1	TIMING BELT 3*9*333mm
14	MTP0687	1	TIMING PULLEY (MOTOR)
15	FB4020406	4	1/4-20X3/8 HEX SOCKET SET SCRW
16	TE438134	1	COOLING FAN SCREEN
17	FR03604	4	AL/ST 6-4 RIVET
18	TP2242376	1	BRLAIR-SC BRUSH BRACKET RT
19	FB032422	2	10-32 X 1-3/8" PH HEAD S/S
20	TE61200451	1	1/8HP FOR 180V DC MOTOR
21	FB061416	2	1/4-20x1 SOCKET HEAD BOLTS/S
22	FW341804	3	1/2" OD x1/4" SPACER S/S
23	FW311004	3	1/4 TWIST LOCK WASHER S/S
24	FB031416	1	1/4-20X1 FLAT HEAD SLOTTED S/S
25	FB021412	4	1/4-20X3/4 HEX TAP BOLT S/S
26	MBT224031	1	BELAIR-SC VAC SHOE VERT BRK LT
B	MBT224032	1	BELAIR-SC VAC SHOE VERT BRK RT
27	FN1010421	4	1/4X20 S/S KEPS NUT
28	ID62020	1	5/16 S/SBAND 1/4HEX HD.1/4-5/8
29	TV151194-20	-	1-1/2" WIRE BRAID INTRNL VAC H
30	TP224031	1	BELAIR-SC 18" VACUUM SHOE 2012
31	MBT080908	2	1/2"X1/2"HIGH TEMP BR W/FLANG
32	PB916218	1	CHEV. CYL NYL BRUSH 2.5"X18"
B	TP2242104	1	BELAIR-SC BRUSH SAFT1/2"X21.25
33	FB032416	2	10-32X1PH.PAN HEAD S/S
34	TP224006	1	BELAIR-SC JET MANIFOLD
35	FB032408	4	10-32x1/2" PH. PAN HEAD S/S
36	125HBL44	1	HOSE BARB(HOSE X MPT)1/4X1/4
B	GB05000	1	BRASS HOSE FERRULE .50"ID
C	TH6400499-24	-	1/4"BLACK NEPTUNE 3000 (24")
37	J4VB-110015	4	1/4 V-JET #110015

BelairSC
 Base
 2-2 Vac Motor
 170 PSI
 12" Wheel
 Heater

ITEM No.	PARTS No.	QTY	DESCRIPTION
1	ST230-30	1	PSI REGULATOR FOR 350 PSI MAX
2	2202P44	4	90DEG.STREET ELBOW 1/4MPTX1/4F
3	PFN204104	1	1/4HOSE X 1/4MPT SOLID MALE ST
B	PFN504500	1	1/4 HOSE FERRULE
C	TH6400450-17	-	1/4" BLUE NEPTUNE 3000 (24")
4	2224P4	1	MALE BRANCH TEE 1/4"
5	2214P44	1	45DEG.ST.ELBOW 1/4MPTX1/4FPT
6	PFN204104	1	1/4HOSE X 1/4MPT SOLID MALE ST
B	PFN504500	1	1/4 HOSE FERRULE
C	TH6400499-27	-	1/4"BLACK NEPTUNE 3000 (27")
7	216P4	1	HEX CLOSE NIPPLE 1/4"
8	207P-4	1	COUPLING 1/4X1/4 FPT TO FPT
9	H39		
A	TE227100	1	H-5100ELELCTUBEHEATER 1000WATT
B	TE206212	1	THERMO DISK SENSOR 210F
C	TE228100	1	HEATING ROD 1000 WATTS
D	TE22800	1	TUBE HEATER HOUSING W/INSULATI
10	PFN204104	1	1/4HOSE X 1/4MPT SOLID MALE ST
B	PFN504500	1	1/4 HOSE FERRULE
C	TH6400499-20	-	1/4"BLACK NEPTUNE 3000 (20")
11	2200P44	1	90DEG.ELBOW 1/4FPT X 1/4FPT
12	TP2242115	1	BELAIR-SC HEATER BRACKET
13	FN1011032	4	10X32 S/S KEPS NUT
14	FB032428	4	10-32X1-3/4PH.PAN HEAD S/S
15	TS00314	1	SWITCH GUARD PLATE W/4 HOLES