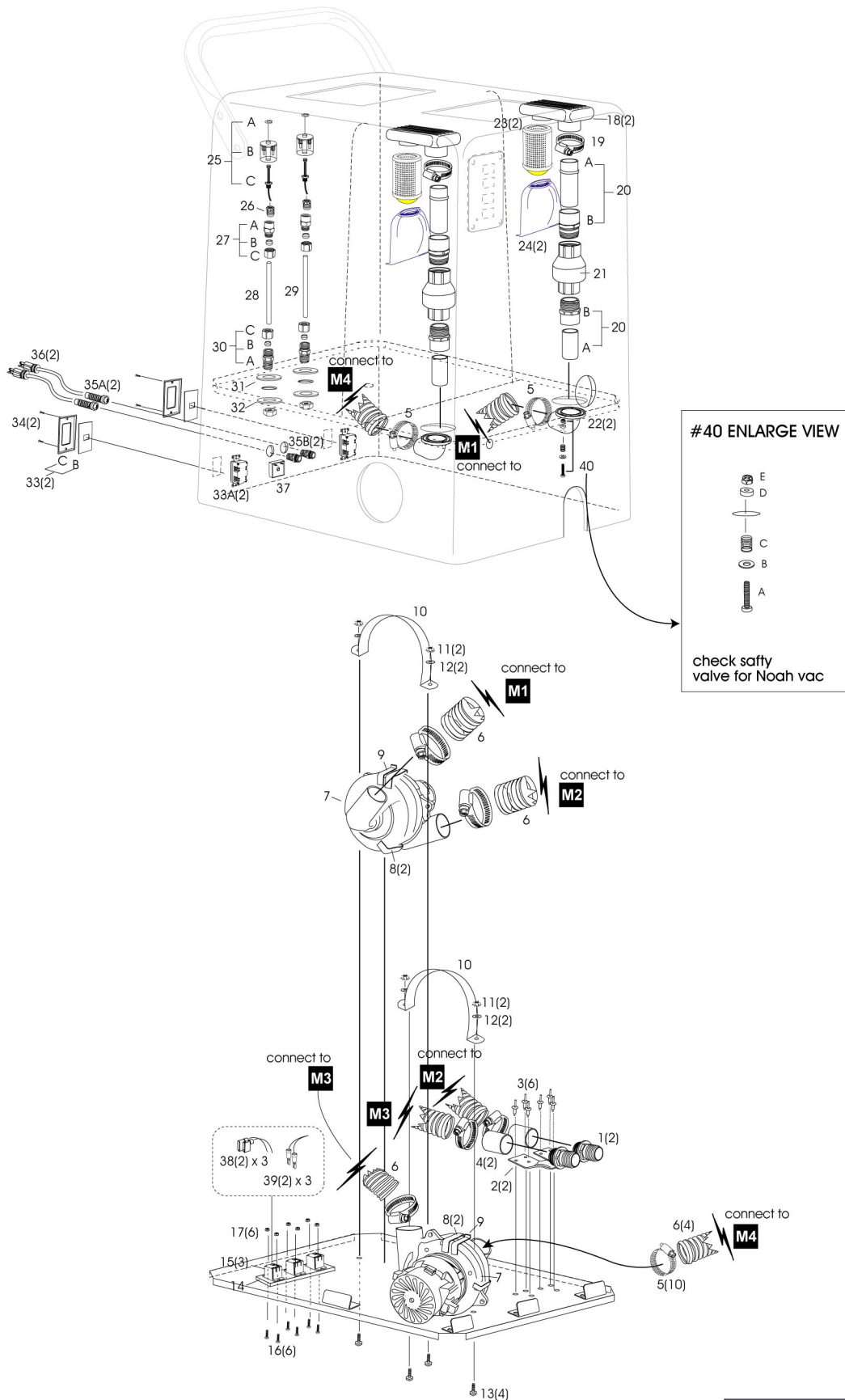


# NOAH 8 SERIES

Since  
1974

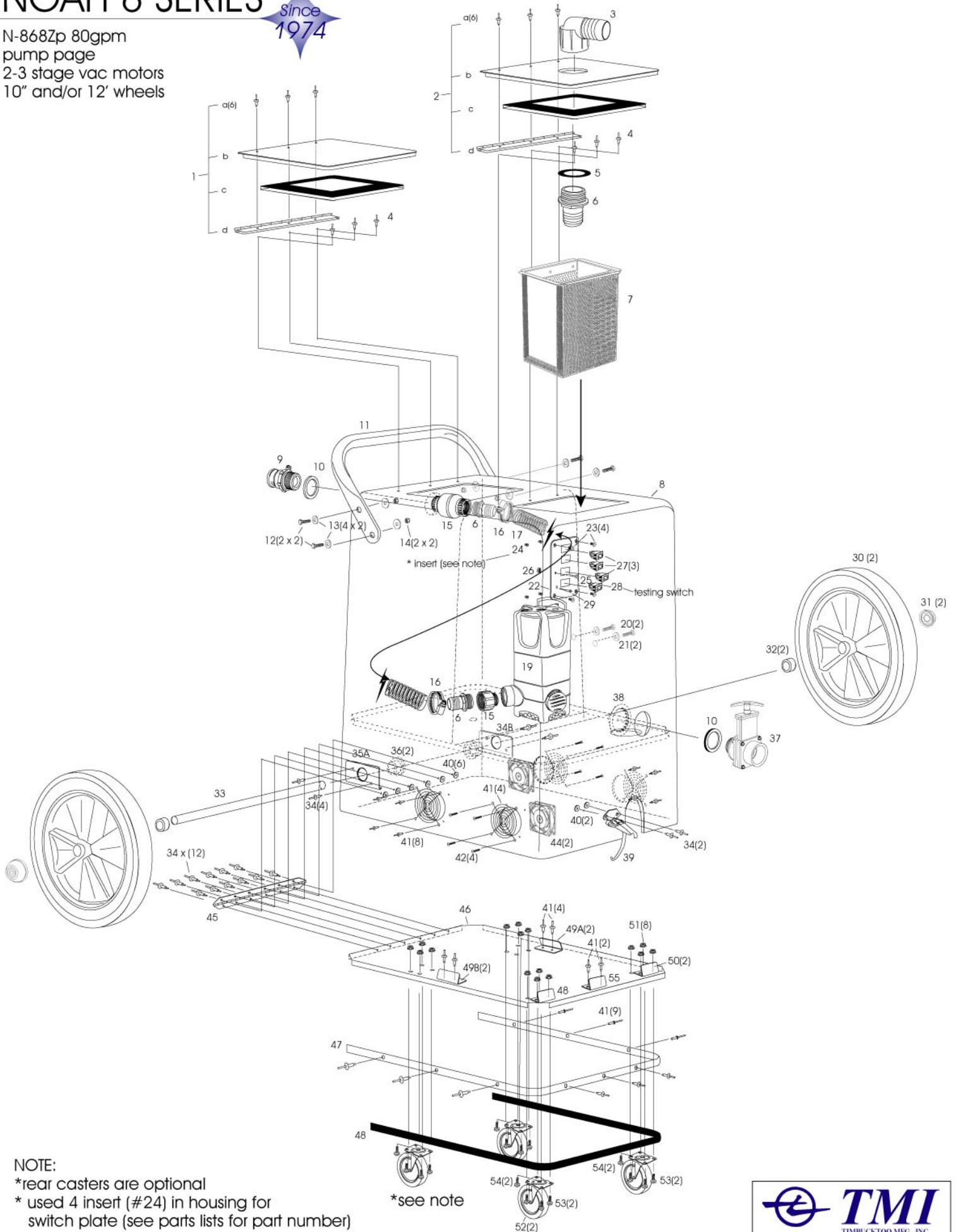
N-868Zp 80gpm  
motor page  
2-3 stage vac motors  
10" and/or 12' wheels



# NOAH 8 SERIES

Since  
1974

N-868Zp 80gpm  
pump page  
2-3 stage vac motors  
10" and/or 12' wheels



**NOTE:**

\*rear casters are optional

\* used 4 insert (#24) in housing for switch plate (see parts lists for part number)

\*see note



N-868ZP  
 Motor Page  
 1-3 Vac Motors  
 10" and/or 12" Wheels

ITEM No.	PARTS LIST	QTY	DESCRIPTION
1	TB231516	2	1.5"HOSE BARB W/FLANGE BLACK
2	TP110411	2	EXHAUST BRACKET
3	FR03604	6	AL/ST 6-4 RIVET
4	TB2320120	2	WHITE TUBE 2" O.D. 10 FEET
5	ID57320	8	1/2 SS BN,PLT, 1-9/16 TO 2-1/2
6	TV200294	-	2"WIRE BRA.INTERN.VAC.HOSE GRA
7	11660054-B/C	2	120v/5.7"BP.TA,3STG.93"WATERLI
8	TP400402	4	MOTOR CLAMP 5.7-3 STAGE MOTOR
9	TP400405	2	VAC STRAP GUARD
10	TP200110	2	MOTOR STRAP FOR 5.7MOTORS(SM)
11	FN1020421	4	1/4X20 KEPS NUT
12	FW302424	4	1/4X1-1/4 ZINC FENDER WASHER
13	FB022416	4	1/4-20X1 HEX BOLT-ZINC
14	TNP245606	3	POWER RELAY INSLTOR 3"X2-1/4
15	TE205212	3	POWER RELAY 120V 30AMP<black>
16	FB1032108	6	10-32X1/2PH.PAN HEAD ZN
17	FN1021032	6	10X32 KEPS NUT ZINC
18	PM10142	2	BALL FLOAT DUCT ONLY
19	ID67321	2	1/2 SS BN,SS, 1-9/16 TO 2-1/2
20	TB22125012	4	WHITE PIPE 1.66" O.D. X 1.36"
B	TB436015	4	MALE ADAPTER1-1/2MPTx1-1/2SOC
21	CHKV50032	2	CK VALVE FOR AUTO DUMP SYS NOA
22	TB231720	2	2"90DEG.FLANGED ADAPTER
23	PM10144	2	BALL FLOAT CAGE W/BALL
24	PM10150	2	VACUUM FILTER(BALL-FLOAT)
25	TE205314	2	LEVEL SWITCH-K
A	TE205316	2	LEVEL SWITCH CLIP
B	TE205315	2	LEVEL SWITCH FLOAT
C	TE205317	2	LEVEL SWITCH STEM
26	209P42	2	BUSHING 1/4 X 1/8
27	66C64	2	COMP.FIT.(TUBE X FPT)3/8X1/4
B	60C6	1	TAPER SLEEVE(COMP)BRASS 3/8
C	61C6	1	COMPRESSION FITTING NUT 3/8
28	TB180635	1	SS WDT304 .375"OD.035WALL T/FT / 8"
29	TB180635	1	S/S WELD T304.375"OD .035WALLT/ 3"
30	68C64	2	COMP.FIT.(TUBE X MPT)3/8X1/4
B	60C6	1	TAPER SLEEVE(COMP)BRASS 3/8
C	61C6	1	COMPRESSION FITTING NUT 3/8
31	FW3010820	4	1/2 S/S FLT WASHER 0.5X1.25X78
32	210P4	2	LOCK NUT 1/4 FPT
33	TE201151	2	GFCI
B	TE202120	-	PLAS. 1 GANG WET LOC. SNAP COV
C	TE202120	2	PLAS. 1 GANG WET LOC. SNAP COV
34	FB1032112	4	10-32X3/4 PH. PAN HEAD ZN
35	TE101500	2	CORD RETAINER (COMPLETE)
B	TE101510	2	CORD GROMMET

36	<b>TE101143</b>	2	14-3SJTW-A POW.CORDX25'W/15M.P
37	<b>TE205288</b>	2	7 SEC. TIME DELAY
38	<b>TE1855</b>	2	16-14AWG 250FEM.QUICK CON. 1/4
39	<b>TE1851</b>	2	16-14AWG 250FEM.QUICK CON.3/16
40	<b>CHKV03602</b>	1	CHECK SAFTY VALVE FOR NOAH VAC
	<b>A FB032416</b>	1	10-32X1PH.PAN HEAD S/S
	<b>B FW3010308</b>	1	3/16"X1/2" S/S WASHER
	<b>C TSC03602050</b>	1	COMP SPRING S/S .036ODx.02x.5"
	<b>D K254051</b>	1	DISK FOR K254000
	<b>E FN1111032</b>	1	10X32 S/S HEX NYLON LOCK NUT

N-868ZP  
Pump  
1-3 Vac Motor  
10" and/or 12" Wheels

ITEM No.	PARTS LIST	QTY	DESCRIPTION
1	TMC20215	1	LID (S/S) NOAH #2 W/GASKET&HIN
A	FR01402	3	S/S 4-2 RIVET
B	TMC20215	1	LID (S/S) NOAH #2 W/GASKET&HIN
C	TMC00222	1	LID GASKET ONLY 10-1/2X8
D	FS011080	1	S/S LID HINGE X 8"
2	TMC20214	1	LID(S/S)COMP. FOR NOAH-850Z
A	FR01402	3	S/S 4-2 RIVET
B	TMC20232	1	LIDONLY(S/S)9-1/4X10-1/2X24G-B
C	TMC00222	1	LID GASKET ONLY 9X10-B
D	FS011080	1	S/S LID HINGE X 8"
3	TB261510	1	1-1/2" 90 DEG.HOSE BARBx1.5FPT
4	FR01406	6	S/S 4-6 RIVET
5	TB231601	1	1-1/2" X 1/8 GASKET(THIN)
6	TB231516	3	1.5"HOSE BARB W/FLANGE BLACK
7	TP238502	1	N-850Z S/S PRE-FILTER
8	TC1299##	1	FIBERGLASS H. #N 25X20X16
9	TB301150	1	1-1/2QUICK LOCKONFEMALEHOSEBR
10	TB231602	2	1-1/2" X 3/16GASKET(THICK)
11	TB101220	1	STATIONARY HANDLE#A-F,H,K,M
12	FB021416	4	1/4-20X1 HEX BOLT 18-8 S/S
13	FW302400	8	1/4 U.S.S. CUT WASHER ZINC
14	FN1110420	6	1/4X20 S/S NYLON LOCK NUT
15	CHKV50032	1	CK VALVE FOR AUTO DUMP SYS NOA
16	ID57200	2	1/2 SS BN5/16PLT, 3/4 TO 1-3/4
17	TV150201	-	1.5" CLEAR WR VAC HOSE-FT(18")
18	TB4461216	1	1.25"MFTx1.5"FPT ADAPTER ABS
19	FLG56807	1	NOAH PUMP 80GPM 120V/60HZ
20	FB021420	2	1/4-20X1/4 HEX BOLT 18-8 S/S
21	FW3010820	2	1/2 S/S FLT WASHER 0.5X1.25X78
22	TS41201	1	SWITCH PLATE W/4SWITCHES&2 COR
23	FB1032008	4	10-32X1/2PH.FLAT HEAD ZN
24	AWS2-1032	4	10-32 INSERT FOR FIBER COMPOSI
25	FB1032108	1	10-32X1/2PH.PAN HEAD ZN
26	FN1021032	1	10X32 KEPS NUT ZINC
27	TE202012	3	CV/ON-OFF ROCKER SWITCH (TMI)
28	TE202019	1	MOMEN RCKR SWCH N.O(1"X.5")
29	TE210112	1	LED 2 CIRCUIT INDICATING LIGHT
30	WC131294	2	12 X 1.75 X 1/2 SEMI PNEU. WHL
31	FS07108	2	1/2" AXLE (ROD) END CAP
32	FW340816	2	1/2"ID.X1" SPACER(AXEL SPACER)
33	FS051026	1	AXLE(ROD)#A-E,G,K-5/8"X26"
34	FR03606	18	AL/ST 6-6 RIVET
35	TMA010102	1	RIGHT AXLE ALUM.BRACKET/10"-12
B	TMA010101	1	LEFT AXLE ALUM.BRACKET/10"-12"
36	MBS080908	2	1/2"X1/2"PLTIC BEARING W/FLANG
37	TB231151	1	1.5"BLACK 3PC.VALVE SPIG X MPT

38	<b>TB231620</b>	1	1-1/2LOCK NUT(JAM NUT)
39	<b>FS05015</b>	1	DRAW LATCH
40	<b>FW302316</b>	8	3/16 ALUM. RIVET WASHER AS6R
41	<b>FR03604</b>	23	AL/ST 6-4 RIVET
42	<b>FB1032112</b>	4	10-32X3/4 PH. PAN HEAD ZN
43	<b>TE438134</b>	4	COOLING FAN SCREEN
44	<b>TE436111</b>	2	COOLING FAN 120V 3.5"
45	<b>FS033110</b>	1	ALUM. HINGE 11" #A,B,E,G,R(12"
46	<b>TMB12402</b>	1	2-5.7MOT,2CAS,12"WH./PNEU(B,D)
47	<b>TG436545</b>	1	ALUM. FLAT BUMPER GUARD54.5"
48	<b>MD1055001</b>	1	MOLDNG 5/8" BLCK/FT(50FT/ROLL)
49	<b>TP110421</b>	1	LEFT SIDE ALIGNMENT BRACKET
	B <b>TP110422</b>	1	RIGHT SIDE ALIGNMENT BRACKET
50	<b>TP110431</b>	1	LEFT FRONT ALIGNMENT BRACKET
	B <b>TP110432</b>	1	RIGHT FRONT ALIGNMENT BRACKET
51	<b>FN1020421</b>	8	1/4X20 KEPS NUT
52	<b>WC120264</b>	2	4"X1" NON MARKING SWIVEL CASTE
53	<b>FB022412</b>	4	1/4-20X3/4 HEX BOLT-ZINC
54	<b>FB022408</b>	4	1/4-20X1/2 HEX BOLT-ZINC
55	<b>TP110437</b>	1	FRONT CENTER ALIGNMENT BRACKET