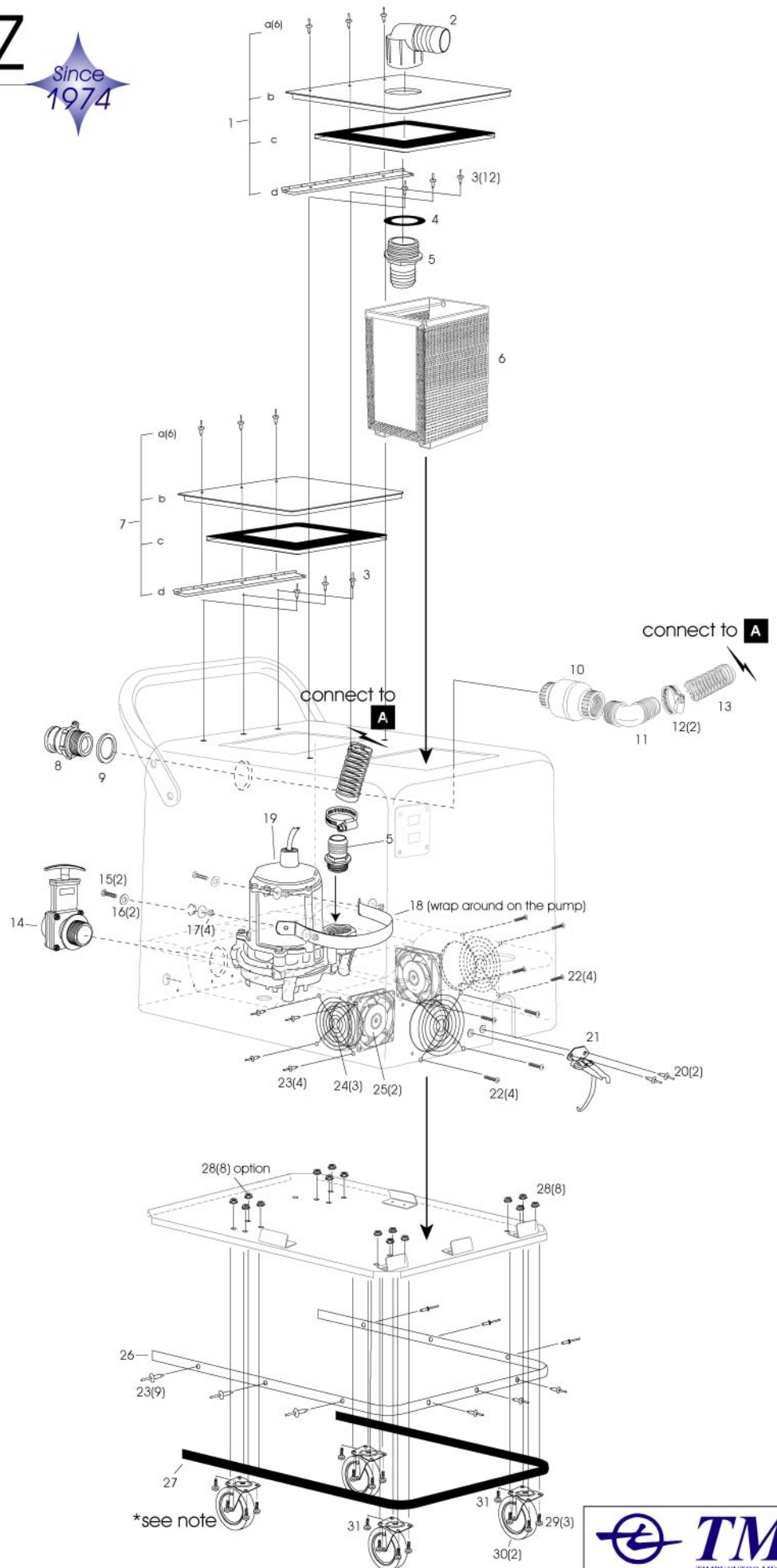


Noah 331Z

Since
1974

N-331Z pump page
1-3 vac motor
1800 gph



NOTE:
*rear casters are optional

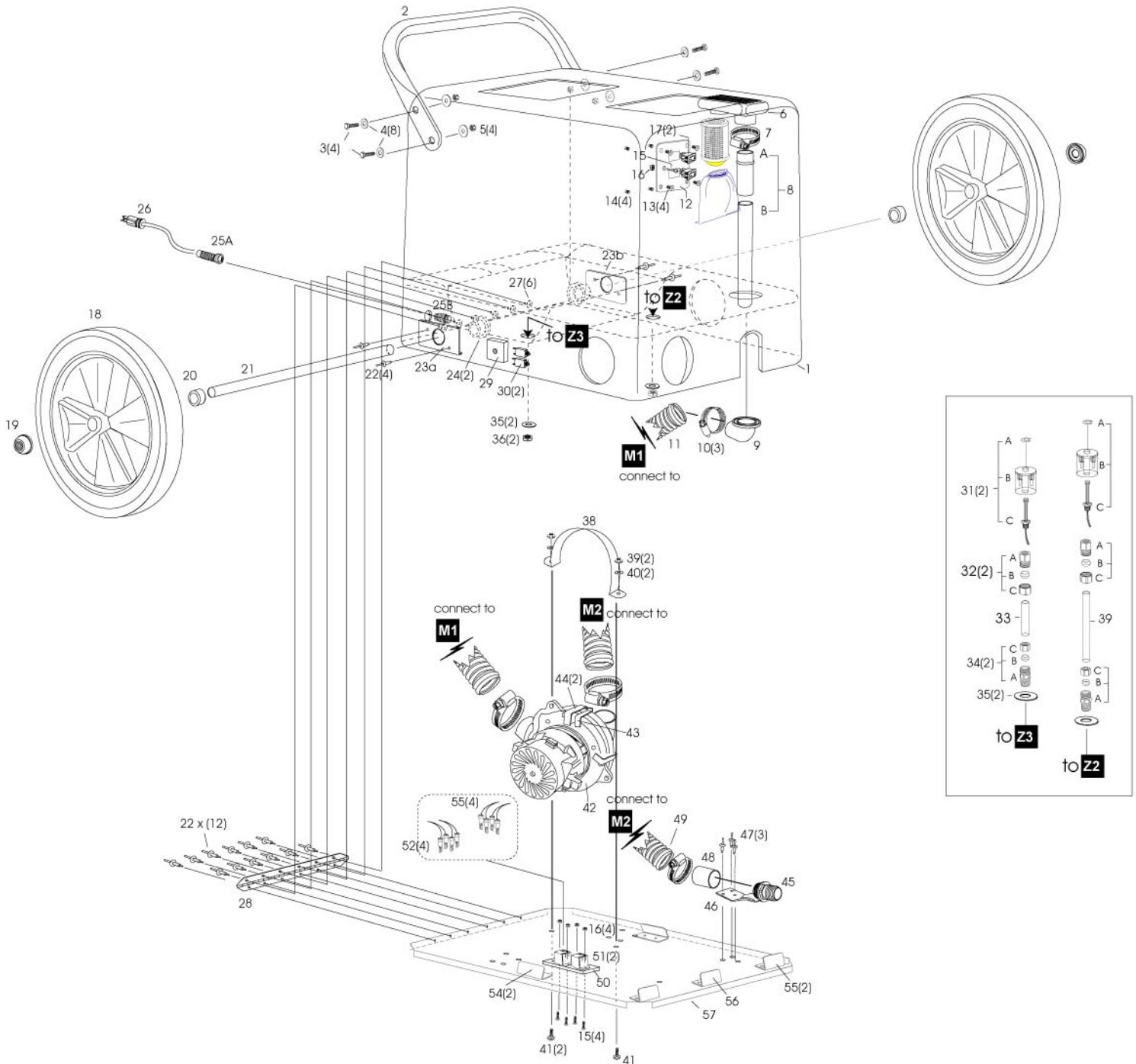


apr 8 11

Noah 331Z

Since
1974

N-331Z motor page
1-3 vac motor
1800 gph



NOTE:

* used 4 insert in housing for switch plate
(see parts lists for part number)



apr 8 11

N-331Z
Pump
1-3 Vac Motor
10" and/or 12" Wheels

| ITEM No. | PARTS LIST | QTY | DESCRIPTION |
|----------|------------|-----|--|
| 1 | TMC20214 | 1 | LID(S/S)COMP. FOR NOAH-850Z |
| A | FR01402 | 3 | S/S 4-2 RIVET |
| B | TMC20215 | 1 | LID (S/S) NOAH #2 W/GASKET&HIN |
| C | TMC00222 | 1 | LID GASKT ONLY 8-1/2"X9-5/8"-B |
| D | FS011080 | 1 | S/S LID HINGE X 8" |
| 2 | TB261510 | 1 | 1-1/2" 90 DEG.HOSE BARBx1.5FPT |
| 3 | FR01406 | 6 | S/S 4-6 RIVET |
| 4 | TB231601 | 1 | 1-1/2" X 1/8 GASKET(THIN) |
| 5 | TB231516 | 2 | 1.5"HOSE BARB W/FLANGE BLACK |
| 6 | TP238313 | 1 | NOAH331ZPRE-REMOVABLEFILTERS/S |
| 7 | TMC20215 | 1 | LID (S/S) NOAH #2 W/GASKET&HIN |
| A | FR01402 | 3 | S/S 4-2 RIVET |
| B | TMC20215 | 1 | LID (S/S) NOAH #2 W/GASKET&HIN |
| C | TMC00222 | 1 | LID GASKT ONLY 8-1/2"X9-5/8"-B |
| D | FS011080 | 1 | S/S LID HINGE X 8" |
| 8 | TB301150 | 1 | 1-1/2QUICK LOCKONFEMALEHOSEBR |
| 9 | TB231602 | 1 | 1-1/2" X 3/16GASKET(THICK) |
| 10 | CHKV50032 | 1 | CK VALVE FOR AUTO DUMP SYS NOA |
| 11 | TB261515 | 1 | 1-1/2 90DEG.HOSE BARB X1.5MPT |
| 12 | ID57200 | 1 | 1/2 SS BN5/16PLT, 3/4 TO 1-3/4 |
| 13 | TV150201 | - | 1.5" CLEAR WR VAC HOSE-FT |
| 14 | TB231151 | 1 | 1.5"BLACK 3PC.VALVE SPIG X MPT |
| 15 | FB021428 | 2 | 1/4-20X1-3/4 HEX BOLT 18-8 S/S |
| 16 | FW3010416S | 2 | 1/4X1 OD SEALING WASHER S/S |
| 17 | FN1010421 | 2 | 1/4X20 S/S KEPS NUT |
| 18 | TP200115 | 1 | MOTOR STRAP 15"NOAH |
| 19 | FLG56710 | 1 | NOAH PUMP 50GPM 120V/60HZ |
| 20 | FR03606 | 2 | AL/ST 6-6 RIVET |
| 21 | FS05015 | 1 | DRAW LATCH |
| 22 | FB1032112 | 8 | 10-32X3/4 PH. PAN HEAD ZN |
| 23 | FR03604 | 13 | AL/ST 6-4 RIVET |
| 24 | TE438134 | 2 | COOLING FAN SCREEN |
| 25 | TE436111 | 2 | COOLING FAN 120V 3.5" |
| 26 | TG436545 | 1 | ALUM. FLAT BUMPER GUARD54.5" |
| 27 | MD1055001 | 1 | MOLDNG 5/8" BLCK/FT(50FT/ROLL) 55-1/5" |
| 28 | FN1020421 | 8 | 1/4X20 KEPS NUT |
| 29 | FB022412 | 4 | 1/4-20X3/4 HEX BOLT-ZINC |
| 30 | WC120264 | 2 | 4"X1" NON MARKING SWIVEL CASTE |
| 31 | FB022408 | 4 | 1/4-20X1/2 HEX BOLT-ZINC |

N-331Z

Motor

1-3stg Vac motor

10" and/or 12" Wheels

| ITEM No. | PARTS LIST | QTY | DESCRIPTION |
|----------|------------|-----|---|
| 1 | TC1299## | 1 | FIBERGLASS H. #N 25X20X16 |
| 2 | TB101220 | 1 | STATIONARY HANDLE#A-F,H,K,M |
| 3 | FB021416 | 4 | 1/4-20X1 HEX BOLT 18-8 S/S |
| 4 | FW302400 | 8 | 1/4 U.S.S. CUT WASHER ZINC |
| 5 | FN1110420 | 4 | 1/4X20 S/S NYLON LOCK NUT |
| 6 | PM10142 | - | BALL FLOAT DUCT ONLY |
| 7 | ID67321 | 2 | 1/2 SS BN,SS, 1-9/16 TO 2-1/2 |
| 8 | PM232094 | 4 | STAND PIPE 2"O.D.#A,C(8-1/4") |
| 9 | TB231720 | 1 | 2"90DEG.FLANGED ADAPTER |
| 10 | ID57320 | 2 | 1/2 SS BN,PLT, 1-9/16 TO 2-1/2 |
| 11 | TV200294 | 4 | 2"WIRE BRA.INTERN.VAC.HOSE GRA |
| 12 | TS21015 | 4 | SWITCH PLATE W/2 SWITCH OPEN |
| 13 | FB1032008 | 4 | 10-32X1/2PH.FLAT HEAD ZN |
| 14 | AWS2-1032 | 4 | 10-32 INSERT FOR FIBER COMPOSI |
| 15 | FB1032108 | 5 | 10-32X1/2PH.PAN HEAD ZN |
| 16 | FN1021032 | 5 | 10X32 KEPS NUT ZINC |
| 17 | TE202012 | 2 | CV/ON-OFF ROCKER SWITCH (TMI) |
| 18 | WC131294 | 2 | 12 X 1.75 X 1/2 SEMI PNEU. WHL |
| 19 | FS07108 | 2 | 1/2" AXLE (ROD) END CAP |
| 20 | FW340816 | 2 | 1/2"ID.X1" SPACER(AXEL SPACER) |
| 21 | FS051026 | 1 | AXLE(ROD)#A-E,G,K-5/8"X26" |
| 22 | FR03606 | 16 | AL/ST 6-6 RIVET |
| 23 | TMA010102 | 1 | RIGHT AXLE ALUM.BRACKET/10"-12 |
| B | TMA010101 | 1 | LEFT AXLE ALUM.BRACKET/10"-12" |
| 24 | MBS080908 | 2 | 1/2"X1/2"PLTIC BEARING W/FLANG |
| 25 | TE101500 | 1 | CORD RETAINER (COMPLETE) |
| B | TE101510 | 1 | CORD GROMMET |
| 26 | TE101143 | 1 | 14-3SJTW-A POW.CORDX25"W/15M.P |
| 27 | FW302316 | 6 | 3/16 ALUM. RIVET WASHER AS6R |
| 28 | FS033110 | 1 | ALUM. HINGE 11" #A,B,E,G,R(12" |
| 29 | TE205288 | 1 | 7 SEC. TIME DELAY |
| 30 | TE625180 | 2 | 80 MA CIRCUIT BREAKER ETA |
| 31 | TE205314 | 2 | LEVEL SWITCH-K |
| A | TE205316 | 2 | LEVEL SWITCH CLIP |
| B | TE205315 | 2 | LEVEL SWITCH FLOAT |
| C | TE205317 | 2 | LEVEL SWITCH STEM |
| 32 | 66C62 | 1 | COMP.FITTING(TUBEx)3/8x1/8 |
| B | 60C6 | 1 | TAPER SLEEVE(COMP)BRASS 3/8 |
| C | 61C6 | 1 | COMPRESSION FITTING NUT 3/8 |
| 33 | TB180635 | 1 | SS WDT304 .375"OD.035WALL T/FT (3-1/2") |
| 34 | 68C64 | 1 | COMP.FIT.(TUBE X MPT)3/8X1/4 |
| B | 60C6 | 1 | TAPER SLEEVE(COMP)BRASS 3/8 |
| C | 61C6 | 1 | COMPRESSION FITTING NUT 3/8 |
| 35 | FW3010820 | 4 | 1/2 S/S FLT WASHER 0.5X1.25X78 |
| 36 | 210P4 | 2 | LOCK NUT 1/4 FPT |
| 37 | TB180635 | 1 | SS WDT304 .375"OD.035WALL T/FT (1-1/2) |

| | | | |
|----|---------------------|---|--------------------------------|
| 38 | TP200110 | 1 | MOTOR STRAP FOR 5.7MOTORS(SM) |
| 39 | FN1020421 | 2 | 1/4X20 KEPS NUT |
| 40 | FW302424 | 2 | 1/4X1-1/4 ZINC FENDER WASHER |
| 41 | FB022416 | 2 | LOCK NUT 1/4 FPT |
| 42 | 11660054-B/C | 1 | 120V./5.7"BP.3STG. |
| 43 | TP400402 | 1 | MOTOR CLAMP 5.7-3 STAGE MOTOR |
| 44 | TP400405 | 2 | VAC STRAP GUARD |
| 45 | TB231516 | 1 | 1.5"HOSE BARB W/FLANGE BLACK |
| 46 | TP110411 | 1 | EXHAUST BRACKET |
| 47 | FR03604 | 3 | AL/ST 6-4 RIVET |
| 48 | TB2320120 | - | WHITE TUBE 2" O.D. 10 FEET |
| 49 | TV200294 | - | 2"WIRE BRA.INTERN.VAC.HOSE GRA |
| 50 | TNP245606 | 1 | POWER RELAY INSLTOR 3"X2-1/4 |
| 51 | TE205212 | 2 | POWER RELAY 120V 30AMP<black> |
| 52 | TE1855 | 2 | 16-14AWG 250FEM.QUICK CON. 1/4 |
| 53 | TE1851 | 2 | 16-14AWG 250FEM.QUICK CON.3/16 |
| 54 | TP110422 | 1 | RIGHT SIDE ALIGNMENT BRACKET |
| B | TP110421 | 1 | LEFT SIDE ALIGNMENT BRACKET |
| 55 | TP110431 | 1 | LEFT FRONT ALIGNMENT BRACKET |
| B | TP110432 | 1 | RIGHT FRONT ALIGNMENT BRACKET |
| 56 | TP110437 | 1 | FRONT CENTER ALIGNMENT BRACKET |
| 57 | TMB12402 | 1 | 2-5.7MOT,2CAS,12"WH./PNEU(B,D) |