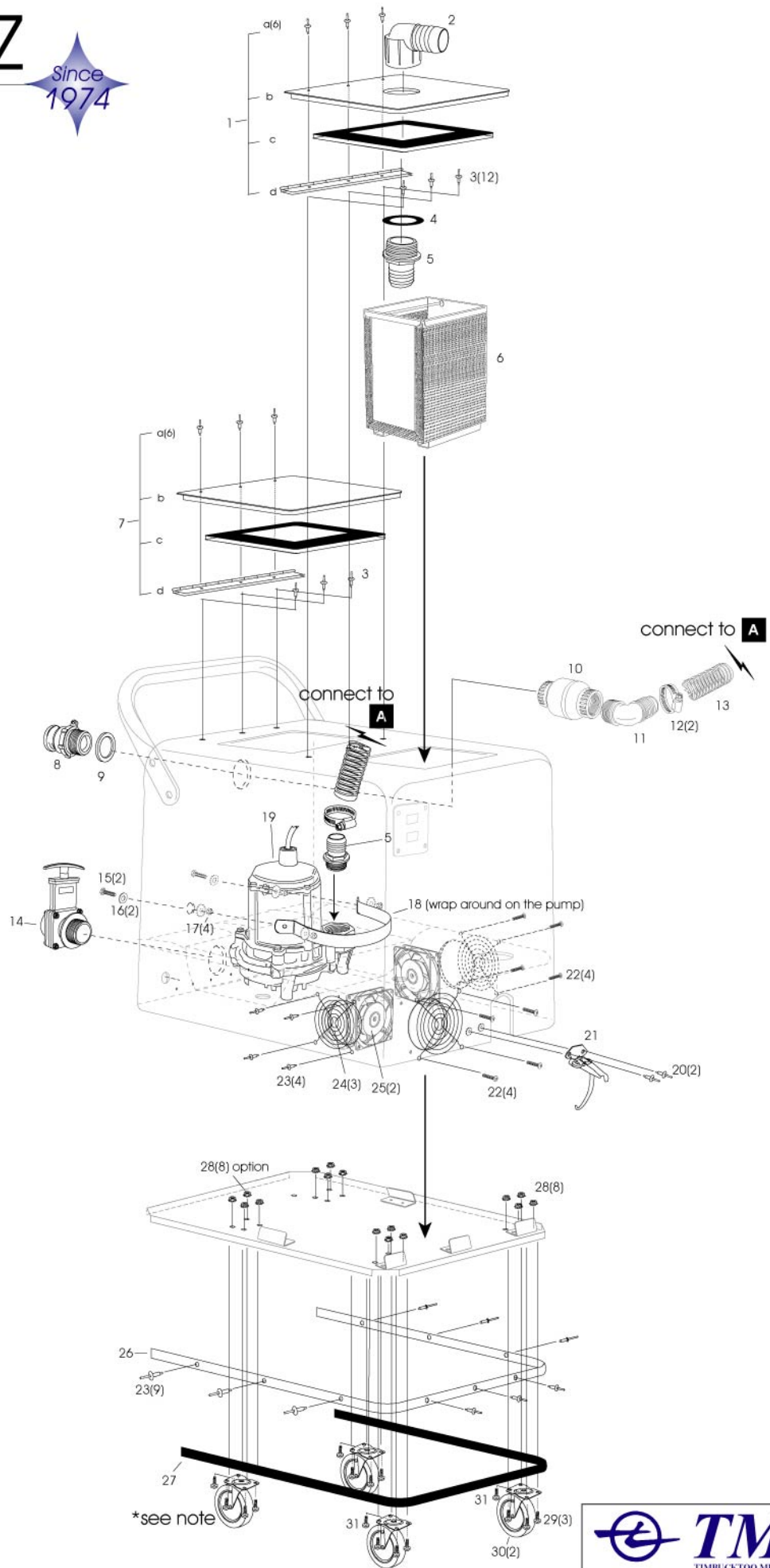


Noah 331Z

Since
1974

N-331Z pump page
1-3 vac motor
1800 gph



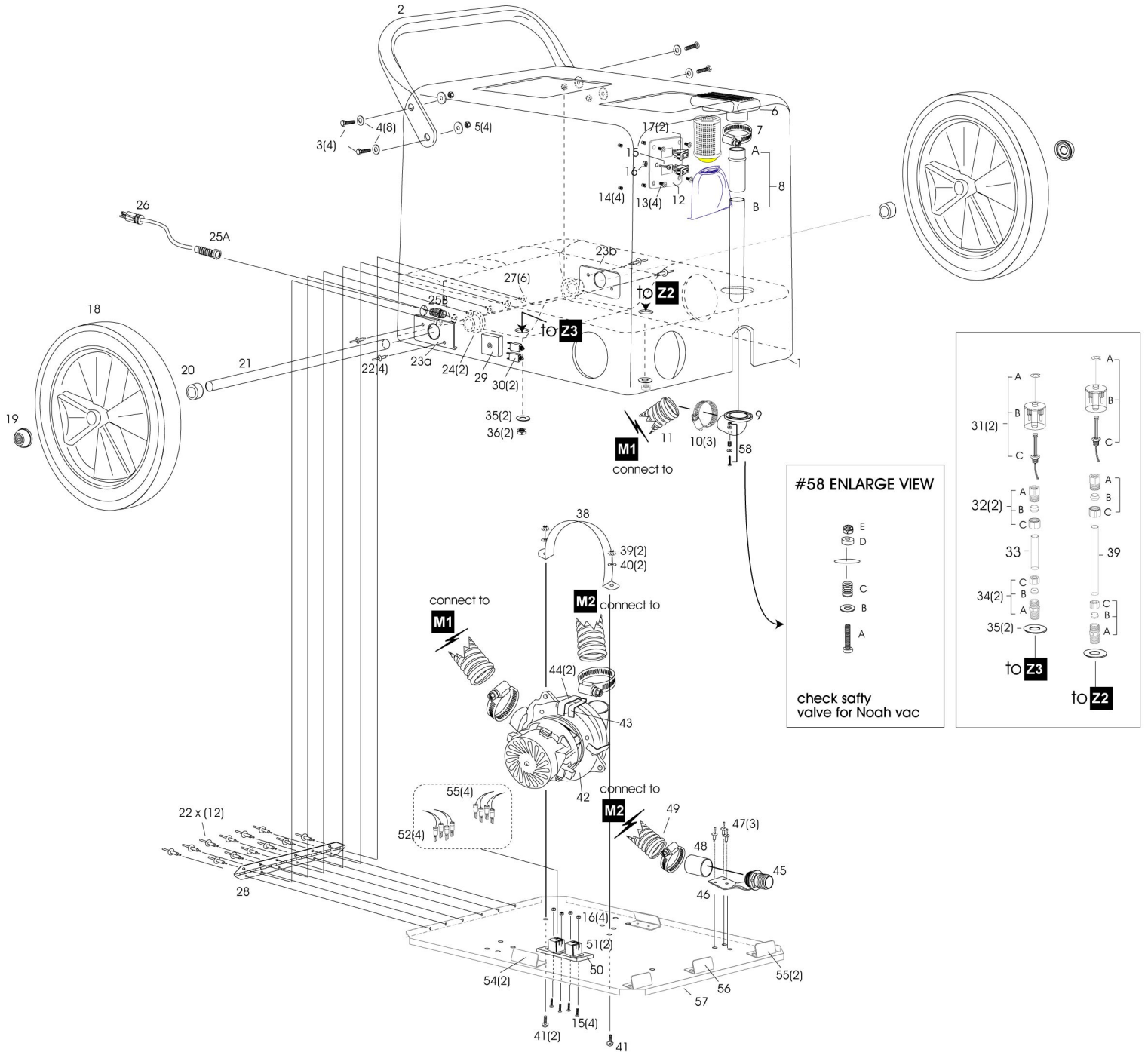
NOTE:
*rear casters are optional



Noah 331Z

Since
1974

N-331Z motor page
1-3 vac motor
1800 gph



NOTE:
* used 4 insert in housing for switch plate
(see parts lists for part number)

N-331Z
Pump
1-3 Vac Motor
10" and/or 12" Wheels

ITEM No.	PARTS LIST	QTY	DESCRIPTION
1	TMC20214	1	LID(S/S)COMP. FOR NOAH-850Z
A	FR01402	3	S/S 4-2 RIVET
B	TMC20215	1	LID (S/S) NOAH #2 W/GASKET&HIN
C	TMC00222	1	LID GASKT ONLY 8-1/2"X9-5/8"-B
D	FS011080	1	S/S LID HINGE X 8"
2	TB261510	1	1-1/2" 90 DEG.HOSE BARBx1.5FPT
3	FR01406	6	S/S 4-6 RIVET
4	TB231601	1	1-1/2" X 1/8 GASKET(THIN)
5	TB231516	2	1.5"HOSE BARB W/FLANGE BLACK
6	TP238313	1	NOAH331ZPRE-REMOVABLEFILTERS/S
7	TMC20215	1	LID (S/S) NOAH #2 W/GASKET&HIN
A	FR01402	3	S/S 4-2 RIVET
B	TMC20215	1	LID (S/S) NOAH #2 W/GASKET&HIN
C	TMC00222	1	LID GASKT ONLY 8-1/2"X9-5/8"-B
D	FS011080	1	S/S LID HINGE X 8"
8	TB301150	1	1-1/2QUICK LOCKONFEMALEHOSEBR
9	TB231602	1	1-1/2" X 3/16GASKET(THICK)
10	CHKV50032	1	CK VALVE FOR AUTO DUMP SYS NOA
11	TB261515	1	1-1/2 90DEG.HOSE BARB X1.5MPT
12	ID57200	1	1/2 SS BN5/16PLT, 3/4 TO 1-3/4
13	TV150201	-	1.5" CLEAR WR VAC HOSE-FT
14	TB231151	1	1.5"BLACK 3PC.VALVE SPIG X MPT
15	FB021428	2	1/4-20X1-3/4 HEX BOLT 18-8 S/S
16	FW3010416S	2	1/4X1 OD SEALING WASHER S/S
17	FN1010421	2	1/4X20 S/S KEPS NUT
18	TP200115	1	MOTOR STRAP 15"NOAH
19	FLG56710	1	NOAH PUMP 50GPM 120V/60HZ
20	FR03606	2	AL/ST 6-6 RIVET
21	FS05015	1	DRAW LATCH
22	FB1032112	8	10-32X3/4 PH. PAN HEAD ZN
23	FR03604	13	AL/ST 6-4 RIVET
24	TE438134	2	COOLING FAN SCREEN
25	TE436111	2	COOLING FAN 120V 3.5"
26	TG436545	1	ALUM. FLAT BUMPER GUARD54.5"
27	MD1055001	1	MOLDNG 5/8" BLCK/FT(50FT/ROLL) 55-1/5"
28	FN1020421	8	1/4X20 KEPS NUT
29	FB022412	4	1/4-20X3/4 HEX BOLT-ZINC
30	WC120264	2	4"X1" NON MARKING SWIVEL CASTE
31	FB022408	4	1/4-20X1/2 HEX BOLT-ZINC

N-331Z

Motor

1-3stg Vac motor

10" and/or 12" Wheels

ITEM No.	PARTS LIST	QTY	DESCRIPTION
1	TC1299##	1	FIBERGLASS H. #N 25X20X16
2	TB101220	1	STATIONARY HANDLE#A-F,H,K,M
3	FB021416	4	1/4-20X1 HEX BOLT 18-8 S/S
4	FW302400	8	1/4 U.S.S. CUT WASHER ZINC
5	FN1110420	4	1/4X20 S/S NYLON LOCK NUT
6	PM10142	-	BALL FLOAT DUCT ONLY
7	ID67321	2	1/2 SS BN,SS, 1-9/16 TO 2-1/2
8	PM232094	4	STAND PIPE 2"O.D.#A,C(8-1/4")
9	TB231720	1	2"90DEG.FLANGED ADAPTER
10	ID57320	2	1/2 SS BN,PLT, 1-9/16 TO 2-1/2
11	TV200294	4	2"WIRE BRA.INTERN.VAC.HOSE GRA
12	TS21015	4	SWITCH PLATE W/2 SWITCH OPEN
13	FB1032008	4	10-32X1/2PH.FLAT HEAD ZN
14	AWS2-1032	4	10-32 INSERT FOR FIBER COMPOSI
15	FB1032108	5	10-32X1/2PH.PAN HEAD ZN
16	FN1021032	5	10X32 KEPS NUT ZINC
17	TE202012	2	CV/ON-OFF ROCKER SWITCH (TMI)
18	WC131294	2	12 X 1.75 X 1/2 SEMI PNEU. WHL
19	FS07108	2	1/2" AXLE (ROD) END CAP
20	FW340816	2	1/2"ID.X1" SPACER(AXEL SPACER)
21	FS051026	1	AXLE(ROD)#A-E,G,K-5/8"X26"
22	FR03606	16	AL/ST 6-6 RIVET
23	TMA010102	1	RIGHT AXLE ALUM.BRACKET/10"-12
B	TMA010101	1	LEFT AXLE ALUM.BRACKET/10"-12"
24	MBS080908	2	1/2"X1/2"PLTIC BEARING W/FLANG
25	TE101500	1	CORD RETAINER (COMPLETE)
B	TE101510	1	CORD GROMMET
26	TE101143	1	14-3SJTW-A POW.CORDX25"W/15M.P
27	FW302316	6	3/16 ALUM. RIVET WASHER AS6R
28	FS033110	1	ALUM. HINGE 11" #A,B,E,G,R(12"
29	TE205288	1	7 SEC. TIME DELAY
30	TE625180	2	80 MA CIRCUIT BREAKER ETA
31	TE205314	2	LEVEL SWITCH-K
A	TE205316	2	LEVEL SWITCH CLIP
B	TE205315	2	LEVEL SWITCH FLOAT
C	TE205317	2	LEVEL SWITCH STEM
32	66C62	1	COMP.FITTING(TUBEx)3/8x1/8
B	60C6	1	TAPER SLEEVE(COMP)BRASS 3/8
C	61C6	1	COMPRESSION FITTING NUT 3/8
33	TB180635	1	SS WDT304 .375"OD.035WALL T/FT (3-1/2")
34	68C64	1	COMP.FIT.(TUBE X MPT)3/8X1/4
B	60C6	1	TAPER SLEEVE(COMP)BRASS 3/8
C	61C6	1	COMPRESSION FITTING NUT 3/8
35	FW3010820	4	1/2 S/S FLT WASHER 0.5X1.25X78
36	210P4	2	LOCK NUT 1/4 FPT
37	TB180635	1	SS WDT304 .375"OD.035WALL T/FT (1-1/2)

38	TP200110	1	MOTOR STRAP FOR 5.7MOTORS(SM)
39	FN1020421	2	1/4X20 KEPS NUT
40	FW302424	2	1/4X1-1/4 ZINC FENDER WASHER
41	FB022416	2	LOCK NUT 1/4 FPT
42	11660054-B/C	1	120V./5.7"BP.3STG.
43	TP400402	1	MOTOR CLAMP 5.7-3 STAGE MOTOR
44	TP400405	2	VAC STRAP GUARD
45	TB231516	1	1.5"HOSE BARB W/FLANGE BLACK
46	TP110411	1	EXHAUST BRACKET
47	FR03604	3	AL/ST 6-4 RIVET
48	TB2320120	-	WHITE TUBE 2" O.D. 10 FEET
49	TV200294	-	2"WIRE BRA.INTERN.VAC.HOSE GRA
50	TNP245606	1	POWER RELAY INSLTOR 3"X2-1/4
51	TE205212	2	POWER RELAY 120V 30AMP<black>
52	TE1855	2	16-14AWG 250FEM.QUICK CON. 1/4
53	TE1851	2	16-14AWG 250FEM.QUICK CON.3/16
54	TP110422	1	RIGHT SIDE ALIGNMENT BRACKET
B	TP110421	1	LEFT SIDE ALIGNMENT BRACKET
55	TP110431	1	LEFT FRONT ALIGNMENT BRACKET
B	TP110432	1	RIGHT FRONT ALIGNMENT BRACKET
56	TP110437	1	FRONT CENTER ALIGNMENT BRACKET
57	TMB12402	1	2-5.7MOT,2CAS,12"WH./PNEU(B,D)
58	CHKV03602	1	CHECK SAFTY VALVE FOR NOAH VAC
A	FB032416	1	10-32X1PH.PAN HEAD S/S
B	FW3010308	1	3/16"X1/2" S/S WASHER
C	TSC03602050	1	COMP SPRING S/S .036ODx.02x.5"
D	K254051	1	DISK FOR K254000
E	FN1111032	1	10X32 S/S HEX NYLON LOCK NUT