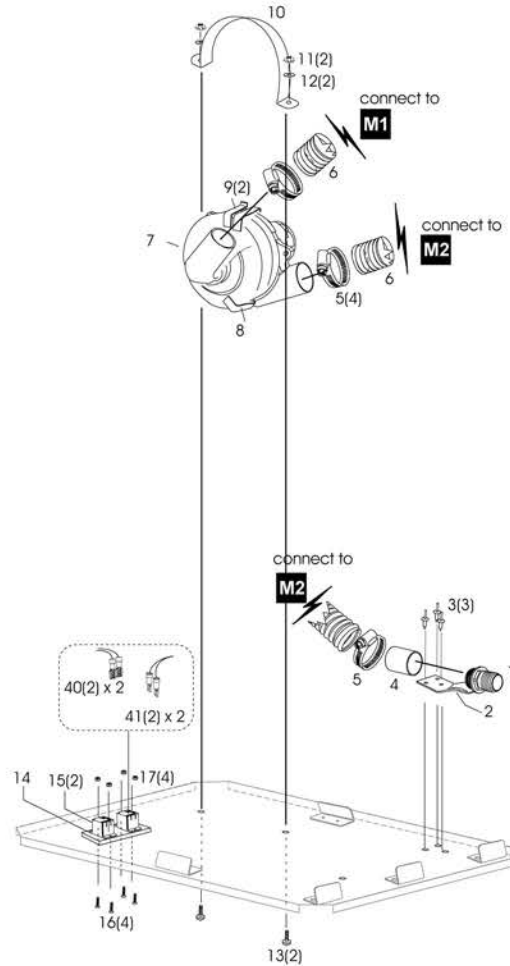
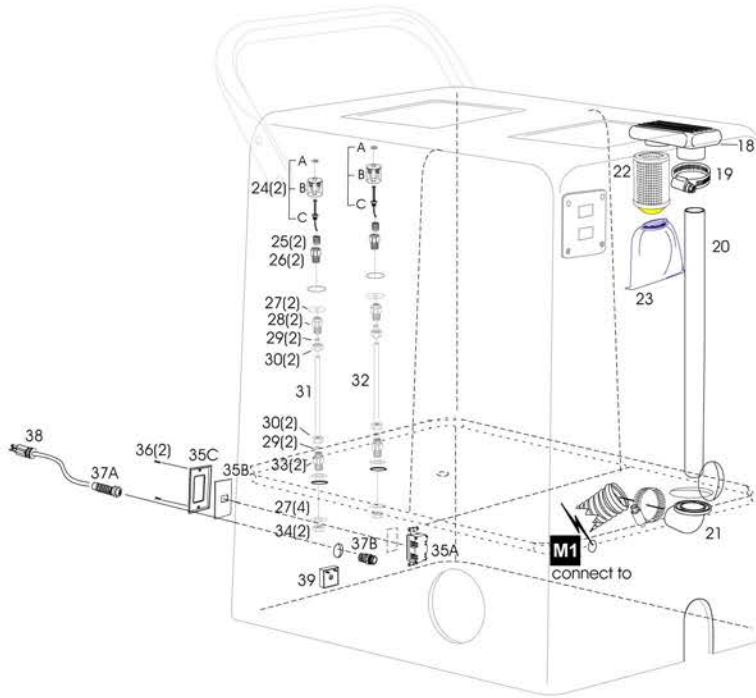


# NOAH 8 SERIES

Since  
1974

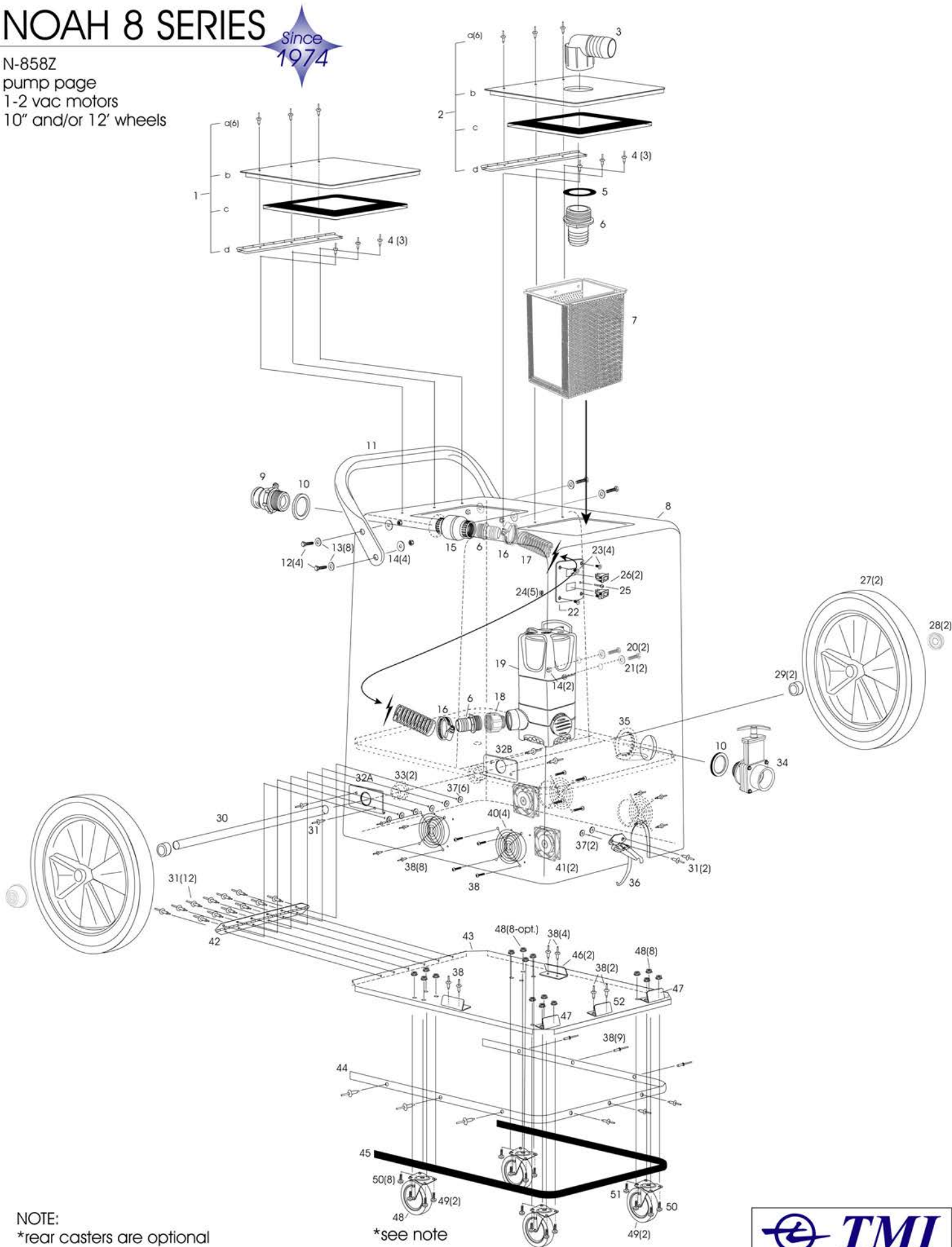
N-858Z  
motor page  
1-2 vac motors  
10" and/or 12" wheels



# NOAH 8 SERIES

Since  
1974

N-858Z  
pump page  
1-2 vac motors  
10" and/or 12' wheels



NOTE:  
\*rear casters are optional

\*see note



N-858Z

Motor

1-2 Vac Motors

10" and/or 12" Wheels

| ITEM No. | PARTS LIST   | QTY | DESCRIPTION                         |
|----------|--------------|-----|-------------------------------------|
| 1        | TB231516     | 1   | 1.5"HOSE BARB W/FLANGE BLACK        |
| 2        | TP110411     | 1   | EXHAUST BRACKET                     |
| 3        | FR03604      | 3   | AL/ST 6-4 RIVET                     |
| 4        | TB2320120    | 1   | WHITE TUBE 2" O.D. 10 FEET          |
| 5        | ID57320      | 4   | 1/2 SS BN,PLT, 1-9/16 TO 2-1/2      |
| 6        | TV200294     | -   | 2"WIRE BRA.INTERN.VAC.HOSE GRA      |
| 7        | 11660054-B/C | 1   | 120v/5.7"BP.TA,3STG.93"WATERLI      |
| 8        | TP400402     | 1   | MOTOR CLAMP 5.7-3 STAGE MOTOR       |
| 9        | TP400405     | 2   | VAC STRAP GUARD                     |
| 10       | TP200110     | 1   | MOTOR STRAP FOR 5.7MOTORS(SM)       |
| 11       | FN1020421    | 2   | 1/4X20 KEPS NUT                     |
| 12       | FW302424     | 2   | 1/4X1-1/4 ZINC FENDER WASHER        |
| 13       | FB022416     | 2   | 1/4-20X1 HEX BOLT-ZINC              |
| 14       | TNP245606    | 1   | POWER RELAY INSLTOR 3"X2-1/4        |
| 15       | TE205212     | 2   | POWER RELAY 120V 30AMP<black>       |
| 16       | FB1032108    | 2   | 10-32X1/2PH.PAN HEAD ZN             |
| 17       | FN1021032    | 2   | 10X32 KEPS NUT ZINC                 |
| 18       | PM10142      | 1   | BALL FLOAT DUCT ONLY                |
| 19       | ID67321      | 1   | 1/2 SS BN,SS, 1-9/16 TO 2-1/2       |
| 20       | PM2320168    | 1   | STAND PIPE 2"O.D.#B,D(16-1/2")      |
| 21       | TB231720     | 1   | 2"90DEG.FLANGED ADAPTER             |
| 22       | PM10144      | 1   | BALL FLOAT CAGE W/BALL              |
| 23       | PM10150      | 1   | VACUUM FILTER(BALL-FLOAT)           |
| 24       | TE205314     | 2   | LEVEL SWITCH-K                      |
| A        | TE205316     | 2   | LEVEL SWITCH CLIP                   |
| B        | TE205315     | 2   | LEVEL SWITCH FLOAT                  |
| C        | TE205317     | 2   | LEVEL SWITCH STEM                   |
| 25       | 209P42       | 2   | BUSHING 1/4 X 1/8                   |
| 26       | 222P42       | 2   | ADAPTER 1/4 FPTX1/8 MPT             |
| 27       | FW3010820    | 6   | 1/2 S/S FLT WASHER 0.5X1.25X78      |
| 28       | 66C64        | 2   | COMP.FIT.(TUBE X FPT)3/8X1/4        |
| 29       | 60C6         | 4   | TAPER SLEEVE(COMP)BRASS 3/8         |
| 30       | 61C6         | 4   | COMPRESSION FITTING NUT 3/8         |
| 31       | TB180635     | 1   | SS WDT304 .375"OD.035WALL T/FT / 8" |
| 32       | TB180635     | 1   | S/S WELD T304.375"OD .035WALLT/ 3"  |
| 33       | 68C64        | 2   | COMP.FIT.(TUBE X MPT)3/8X1/4        |
| 34       | 210P4        | 2   | LOCK NUT 1/4 FPT                    |
| 35       |              |     |                                     |
| A        | TE201151     | 1   | GFCI                                |
| B        | TE202120     | -   | PLAS. 1 GANG WET LOC. SNAP COV      |
| C        | TE202120     | 1   | PLAS. 1 GANG WET LOC. SNAP COV      |
| 36       | FB1032112    | 2   | 10-32X3/4 PH. PAN HEAD ZN           |
| 37       | TE101500     | 1   | CORD RETAINER (COMPLETE)            |
| B        | TE101510     | 1   | CORD GROMMET                        |
| 38       | TE101143     | 1   | 14-3SJTW-A POW.CORDX25"W/15M.P      |
| 39       | TE205288     | 1   | 7 SEC. TIME DELAY                   |

|    |               |   |                                |
|----|---------------|---|--------------------------------|
| 40 | <b>TE1855</b> | 2 | 16-14AWG 250FEM.QUICK CON. 1/4 |
| 41 | <b>TE1851</b> | 2 | 16-14AWG 250FEM.QUICK CON.3/16 |

N-858Z  
Pump  
1-3 Vac Motors  
10" and/or 12" Wheels

| ITEM No. | PARTS LIST | QTY | DESCRIPTION                    |
|----------|------------|-----|--------------------------------|
| 1        | TMC20215   | 1   | LID (S/S) NOAH #2 W/GASKET&HIN |
| A        | FR01402    | 3   | S/S 4-2 RIVET                  |
| B        | TMC20215   | 1   | LID (S/S) NOAH #2 W/GASKET&HIN |
| C        | TMC00222   | 1   | LID GASKET ONLY 10-1/2X8       |
| D        | FS011080   | 1   | S/S LID HINGE X 8"             |
| 2        | TMC20214   | 1   | LID(S/S)COMP. FOR NOAH-850Z    |
| A        | FR01402    | 3   | S/S 4-2 RIVET                  |
| B        | TMC20232   | 1   | LIDONLY(S/S)9-1/4X10-1/2X24G-B |
| C        | TMC00222   | 1   | LID GASKET ONLY 9X10-B         |
| D        | FS011080   | 1   | S/S LID HINGE X 8"             |
| 3        | TB261510   | 1   | 1-1/2" 90 DEG.HOSE BARBx1.5FPT |
| 4        | FR01406    | 6   | S/S 4-6 RIVET                  |
| 5        | TB231601   | 1   | 1-1/2" X 1/8 GASKET(THIN)      |
| 6        | TB231516   | 3   | 1.5"HOSE BARB W/FLANGE BLACK   |
| 7        | TP238502   | 1   | N-850Z S/S PRE-FILTER          |
| 8        | TC1299##   | 1   | FIBERGLASS H. #N 25X20X16      |
| 9        | TB301150   | 1   | 1-1/2QUICK LOCKONFEMALEHOSEBR  |
| 10       | TB231602   | 2   | 1-1/2" X 3/16GASKET(THICK)     |
| 11       | TB101220   | 1   | STATIONARY HANDLE#A-F,H,K,M    |
| 12       | FB021416   | 4   | 1/4-20X1 HEX BOLT 18-8 S/S     |
| 13       | FW302400   | 8   | 1/4 U.S.S. CUT WASHER ZINC     |
| 14       | FN1110420  | 6   | 1/4X20 S/S NYLON LOCK NUT      |
| 15       | CHKV50032  | 1   | CK VALVE FOR AUTO DUMP SYS NOA |
| 16       | ID57200    | 2   | 1/2 SS BN5/16PLT, 3/4 TO 1-3/4 |
| 17       | TV150201   | -   | 1.5" CLEAR WR VAC HOSE-FT(18") |
| 18       | TB4461216  | 1   | 1.25"MFTx1.5"FPT ADAPTER ABS   |
| 19       | FLG56807   | 1   | NOAH PUMP 80GPM 120V/60HZ      |
| 20       | FB021420   | 2   | 1/4-20X1/4 HEX BOLT 18-8 S/S   |
| 21       | FW3010820  | 2   | 1/2 S/S FLT WASHER 0.5X1.25X78 |
| 22       | TS21015    | 1   | SWITCH PLATE W/2 SWITCH OPEN   |
| 23       | FB1032008  | 4   | 10-32X1/2PH.FLAT HEAD ZN       |
| 24       | FN1021032  | 5   | 10X32 KEPS NUT ZINC            |
| 25       | FB1032108  | 1   | 10-32X1/2PH.PAN HEAD ZN        |
| 26       | TE202012   | 2   | CV/ON-OFF ROCKER SWITCH (TMI)  |
| 27       | WC131294   | 2   | 12 X 1.75 X 1/2 SEMI PNEU. WHL |
| 28       | FS07108    | 2   | 1/2" AXLE (ROD) END CAP        |
| 29       | FW340816   | 2   | 1/2"ID.X1" SPACER(AXEL SPACER) |
| 30       | FS051026   | 1   | AXLE(ROD)#A-E,G,K-5/8"X26"     |
| 31       | FR03606    | 18  | AL/ST 6-6 RIVET                |
| 32       | TMA010102  | 1   | RIGHT AXLE ALUM.BRACKET/10"-12 |
| B        | TMA010101  | 1   | LEFT AXLE ALUM.BRACKET/10"-12" |
| 33       | MBS080908  | 2   | 1/2"X1/2"PLTIC BEARING W/FLANG |
| 34       | TB231151   | 1   | 1.5"BLACK 3PC.VALVE SPIG X MPT |
| 35       | TB231620   | 1   | 1-1/2LOCK NUT(JAM NUT)         |
| 36       | FS05015    | 1   | DRAW LATCH                     |
| 37       | FW302316   | 8   | 3/16 ALUM. RIVET WASHER AS6R   |

|    |                   |    |                                |
|----|-------------------|----|--------------------------------|
| 38 | <b>FR03604</b>    | 23 | AL/ST 6-4 RIVET                |
| 39 | <b>FB1032112</b>  | 4  | 10-32X3/4 PH. PAN HEAD ZN      |
| 40 | <b>TE438134</b>   | 4  | COOLING FAN SCREEN             |
| 41 | <b>TE436111</b>   | 2  | COOLING FAN 120V 3.5"          |
| 42 | <b>FS033110</b>   | 1  | ALUM. HINGE 11" #A,B,E,G,R(12" |
| 43 | <b>TMB12402</b>   | 1  | 2-5.7MOT,2CAS,12"WH./PNEU(B,D) |
| 44 | <b>TG436545</b>   | 1  | ALUM. FLAT BUMPER GUARD54.5"   |
| 45 | <b>MD1055001</b>  | 1  | MOLDNG 5/8" BLCK/FT(50FT/ROLL) |
| 46 | <b>TP110421</b>   | 1  | LEFT SIDE ALIGNMENT BRACKET    |
|    | B <b>TP110422</b> | 1  | RIGHT SIDE ALIGNMENT BRACKET   |
| 47 | <b>TP110431</b>   | 1  | LEFT FRONT ALIGNMENT BRACKET   |
|    | B <b>TP110432</b> | 1  | RIGHT FRONT ALIGNMENT BRACKET  |
| 48 | <b>FN1020421</b>  | 8  | 1/4X20 KEPS NUT                |
| 49 | <b>WC120264</b>   | 2  | 4"X1" NON MARKING SWIVEL CASTE |
| 50 | <b>FB022412</b>   | 4  | 1/4-20X3/4 HEX BOLT-ZINC       |
| 51 | <b>FB022408</b>   | 4  | 1/4-20X1/2 HEX BOLT-ZINC       |
| 52 | <b>TP110437</b>   | 1  | FRONT CENTER ALIGNMENT BRACKET |