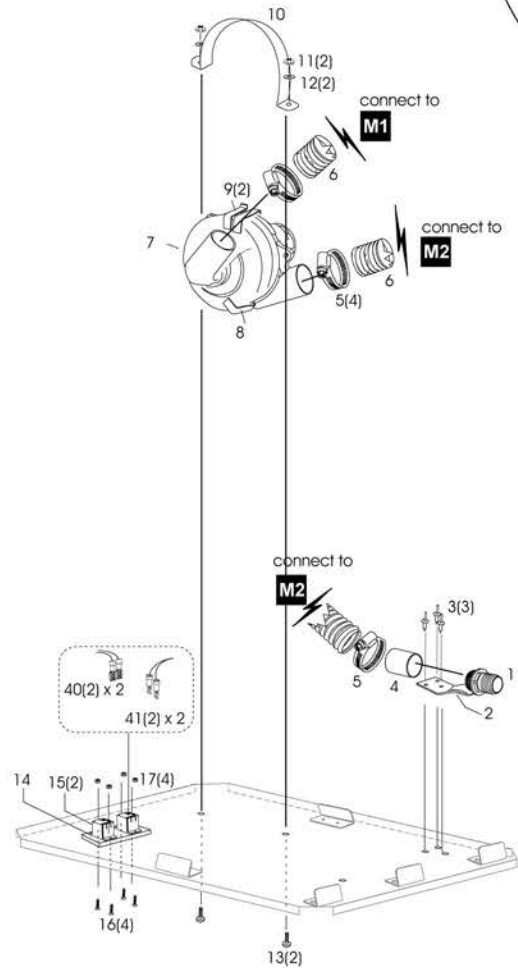
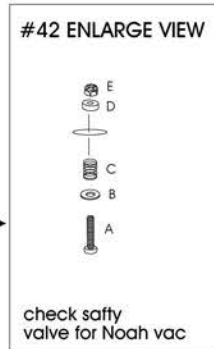
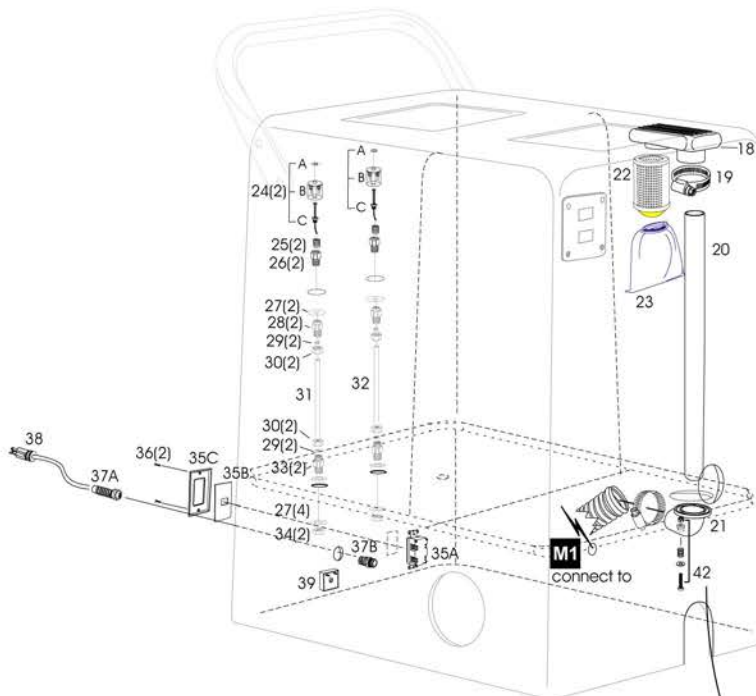


NOAH 8 SERIES

Since
1974

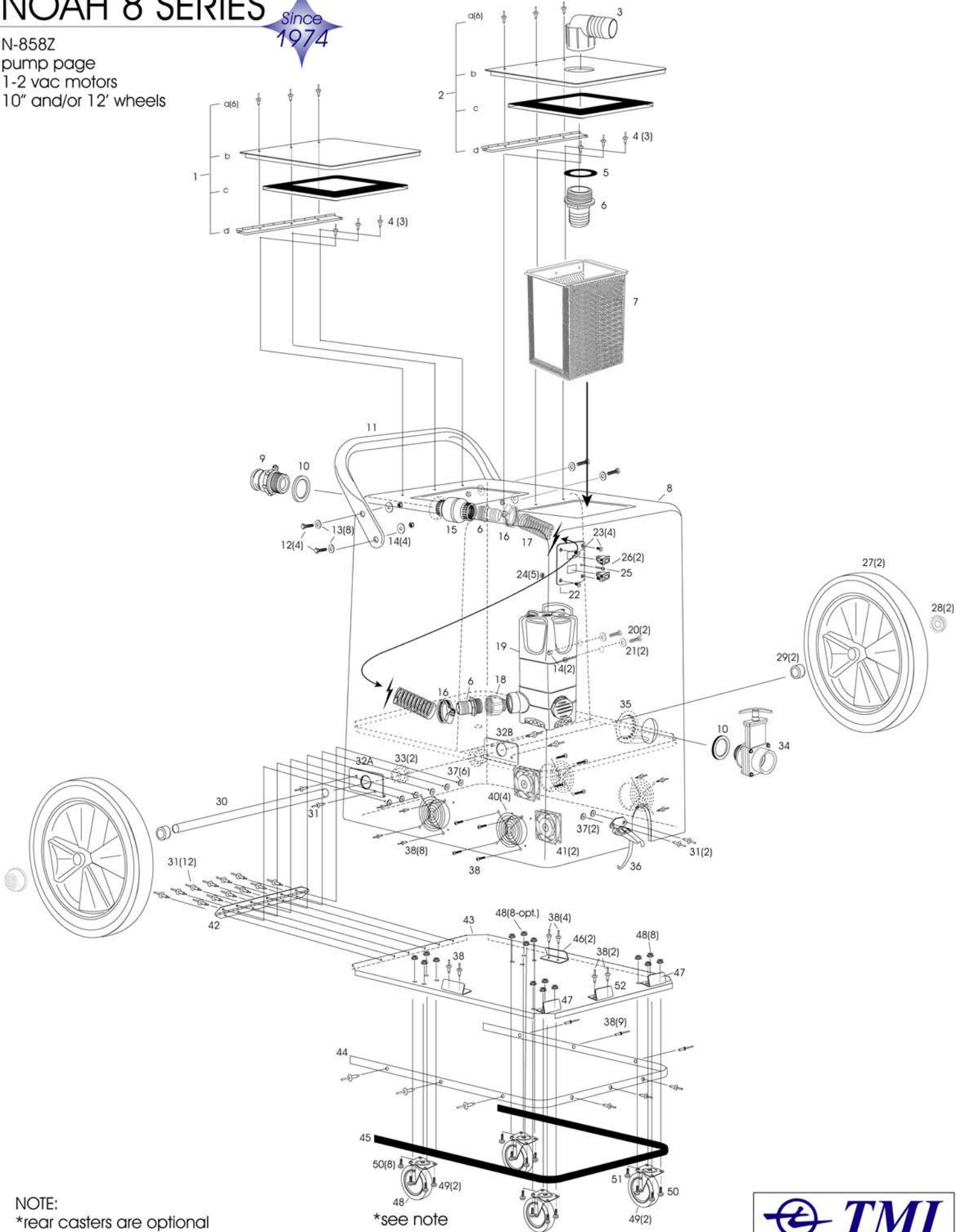
N-858Z
motor page
1-2 vac motors
10" and/or 12' wheels



NOAH 8 SERIES

Since
1974

N-858Z
pump page
1-2 vac motors
10" and/or 12' wheels



NOTE:
*rear casters are optional

*see note



N-858Z

Motor

1-3 Vac Motors

10" and/or 12" Wheels

ITEM No.	PARTS LIST	QTY	DESCRIPTION
1	TB231516	1	1.5"HOSE BARB W/FLANGE BLACK
2	TP110411	1	EXHAUST BRACKET
3	FR03604	3	AL/ST 6-4 RIVET
4	TB2320120	1	WHITE TUBE 2" O.D. 10 FEET
5	ID57320	4	1/2 SS BN,PLT, 1-9/16 TO 2-1/2
6	TV200294	-	2"WIRE BRA.INTERN.VAC.HOSE GRA
7	11660054-B/C	1	120v/5.7"BP.TA,3STG.93"WATERLI
8	TP400402	1	MOTOR CLAMP 5.7-3 STAGE MOTOR
9	TP400405	2	VAC STRAP GUARD
10	TP200110	1	MOTOR STRAP FOR 5.7MOTORS(SM)
11	FN1020421	2	1/4X20 KEPS NUT
12	FW302424	2	1/4X1-1/4 ZINC FENDER WASHER
13	FB022416	2	1/4-20X1 HEX BOLT-ZINC
14	TNP245606	1	POWER RELAY INSLTOR 3"X2-1/4
15	TE205212	2	POWER RELAY 120V 30AMP<black>
16	FB1032108	2	10-32X1/2PH.PAN HEAD ZN
17	FN1021032	2	10X32 KEPS NUT ZINC
18	PM10142	1	BALL FLOAT DUCT ONLY
19	ID67321	1	1/2 SS BN,SS, 1-9/16 TO 2-1/2
20	PM2320168	1	STAND PIPE 2"O.D.#B,D(16-1/2")
21	TB231720	1	2"90DEG.FLANGED ADAPTER
22	PM10144	1	BALL FLOAT CAGE W/BALL
23	PM10150	1	VACUUM FILTER(BALL-FLOAT)
24	TE205314	2	LEVEL SWITCH-K
A	TE205316	2	LEVEL SWITCH CLIP
B	TE205315	2	LEVEL SWITCH FLOAT
C	TE205317	2	LEVEL SWITCH STEM
25	209P42	2	BUSHING 1/4 X 1/8
26	222P42	2	ADAPTER 1/4 FPTX1/8 MPT
27	FW3010820	6	1/2 S/S FLT WASHER 0.5X1.25X78
28	66C64	2	COMP.FIT.(TUBE X FPT)3/8X1/4
29	60C6	4	TAPER SLEEVE(COMP)BRASS 3/8
30	61C6	4	COMPRESSION FITTING NUT 3/8
31	TB180635	1	SS WDT304 .375"OD.035WALL T/FT / 8"
32	TB180635	1	S/S WELD T304.375"OD .035WALLT/ 3"
33	68C64	2	COMP.FIT.(TUBE X MPT)3/8X1/4
34	210P4	2	LOCK NUT 1/4 FPT
35			
A	TE201151	1	GFCI
B	TE202120	-	PLAS. 1 GANG WET LOC. SNAP COV
C	TE202120	1	PLAS. 1 GANG WET LOC. SNAP COV
36	FB1032112	2	10-32X3/4 PH. PAN HEAD ZN
37	TE101500	1	CORD RETAINER (COMPLETE)
B	TE101510	1	CORD GROMMET
38	TE101143	1	14-3SJTW-A POW.CORDX25"W/15M.P
39	TE205288	1	7 SEC. TIME DELAY

40	TE1855	2	16-14AWG 250FEM.QUICK CON. 1/4
41	TE1851	2	16-14AWG 250FEM.QUICK CON.3/16
42	CHKV03602	1	CHECK SAFTY VALVE FOR NOAH VAC
A	FB032416	1	10-32X1PH.PAN HEAD S/S
B	FW3010308	1	3/16"X1/2" S/S WASHER
C	TSC03602050	1	COMP SPRING S/S .036ODx.02x.5"
D	K254051	1	DISK FOR K254000
E	FN1111032	1	10X32 S/S HEX NYLON LOCK NUT

N-858Z
Pump
1-3 Vac Motors
10" and/or 12" Wheels

ITEM No.	PARTS LIST	QTY	DESCRIPTION
1	TMC20215	1	LID (S/S) NOAH #2 W/GASKET&HIN
A	FR01402	3	S/S 4-2 RIVET
B	TMC20215	1	LID (S/S) NOAH #2 W/GASKET&HIN
C	TMC00222	1	LID GASKET ONLY 10-1/2X8
D	FS011080	1	S/S LID HINGE X 8"
2	TMC20214	1	LID(S/S)COMP. FOR NOAH-850Z
A	FR01402	3	S/S 4-2 RIVET
B	TMC20232	1	LIDONLY(S/S)9-1/4X10-1/2X24G-B
C	TMC00222	1	LID GASKET ONLY 9X10-B
D	FS011080	1	S/S LID HINGE X 8"
3	TB261510	1	1-1/2" 90 DEG.HOSE BARBx1.5FPT
4	FR01406	6	S/S 4-6 RIVET
5	TB231601	1	1-1/2" X 1/8 GASKET(THIN)
6	TB231516	3	1.5"HOSE BARB W/FLANGE BLACK
7	TP238502	1	N-850Z S/S PRE-FILTER
8	TC1299##	1	FIBERGLASS H. #N 25X20X16
9	TB301150	1	1-1/2QUICK LOCKONFEMALEHOSEBR
10	TB231602	2	1-1/2" X 3/16GASKET(THICK)
11	TB101220	1	STATIONARY HANDLE#A-F,H,K,M
12	FB021416	4	1/4-20X1 HEX BOLT 18-8 S/S
13	FW302400	8	1/4 U.S.S. CUT WASHER ZINC
14	FN1110420	6	1/4X20 S/S NYLON LOCK NUT
15	CHKV50032	1	CK VALVE FOR AUTO DUMP SYS NOA
16	ID57200	2	1/2 SS BN5/16PLT, 3/4 TO 1-3/4
17	TV150201	-	1.5" CLEAR WR VAC HOSE-FT(18")
18	TB4461216	1	1.25"MFTx1.5"FPT ADAPTER ABS
19	FLG56807	1	NOAH PUMP 80GPM 120V/60HZ
20	FB021420	2	1/4-20X1/4 HEX BOLT 18-8 S/S
21	FW3010820	2	1/2 S/S FLT WASHER 0.5X1.25X78
22	TS21015	1	SWITCH PLATE W/2 SWITCH OPEN
23	FB1032008	4	10-32X1/2PH.FLAT HEAD ZN
24	FN1021032	5	10X32 KEPS NUT ZINC
25	FB1032108	1	10-32X1/2PH.PAN HEAD ZN
26	TE202012	2	CV/ON-OFF ROCKER SWITCH (TMI)
27	WC131294	2	12 X 1.75 X 1/2 SEMI PNEU. WHL
28	FS07108	2	1/2" AXLE (ROD) END CAP
29	FW340816	2	1/2"ID.X1" SPACER(AXEL SPACER)
30	FS051026	1	AXLE(ROD)#A-E,G,K-5/8"X26"
31	FR03606	18	AL/ST 6-6 RIVET
32	TMA010102	1	RIGHT AXLE ALUM.BRACKET/10"-12
B	TMA010101	1	LEFT AXLE ALUM.BRACKET/10"-12"
33	MBS080908	2	1/2"X1/2"PLTIC BEARING W/FLANG
34	TB231151	1	1.5"BLACK 3PC.VALVE SPIG X MPT
35	TB231620	1	1-1/2LOCK NUT(JAM NUT)
36	FS05015	1	DRAW LATCH
37	FW302316	8	3/16 ALUM. RIVET WASHER AS6R

38	FR03604	23	AL/ST 6-4 RIVET
39	FB1032112	4	10-32X3/4 PH. PAN HEAD ZN
40	TE438134	4	COOLING FAN SCREEN
41	TE436111	2	COOLING FAN 120V 3.5"
42	FS033110	1	ALUM. HINGE 11" #A,B,E,G,R(12"
43	TMB12402	1	2-5.7MOT,2CAS,12"WH./PNEU(B,D)
44	TG436545	1	ALUM. FLAT BUMPER GUARD54.5"
45	MD1055001	1	MOLDNG 5/8" BLCK/FT(50FT/ROLL)
46	TP110421	1	LEFT SIDE ALIGNMENT BRACKET
	B TP110422	1	RIGHT SIDE ALIGNMENT BRACKET
47	TP110431	1	LEFT FRONT ALIGNMENT BRACKET
	B TP110432	1	RIGHT FRONT ALIGNMENT BRACKET
48	FN1020421	8	1/4X20 KEPS NUT
49	WC120264	2	4"X1" NON MARKING SWIVEL CASTE
50	FB022412	4	1/4-20X3/4 HEX BOLT-ZINC
51	FB022408	4	1/4-20X1/2 HEX BOLT-ZINC
52	TP110437	1	FRONT CENTER ALIGNMENT BRACKET