

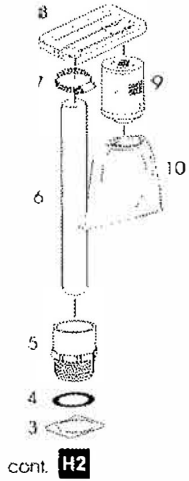
[RH-2500]

12/17/13

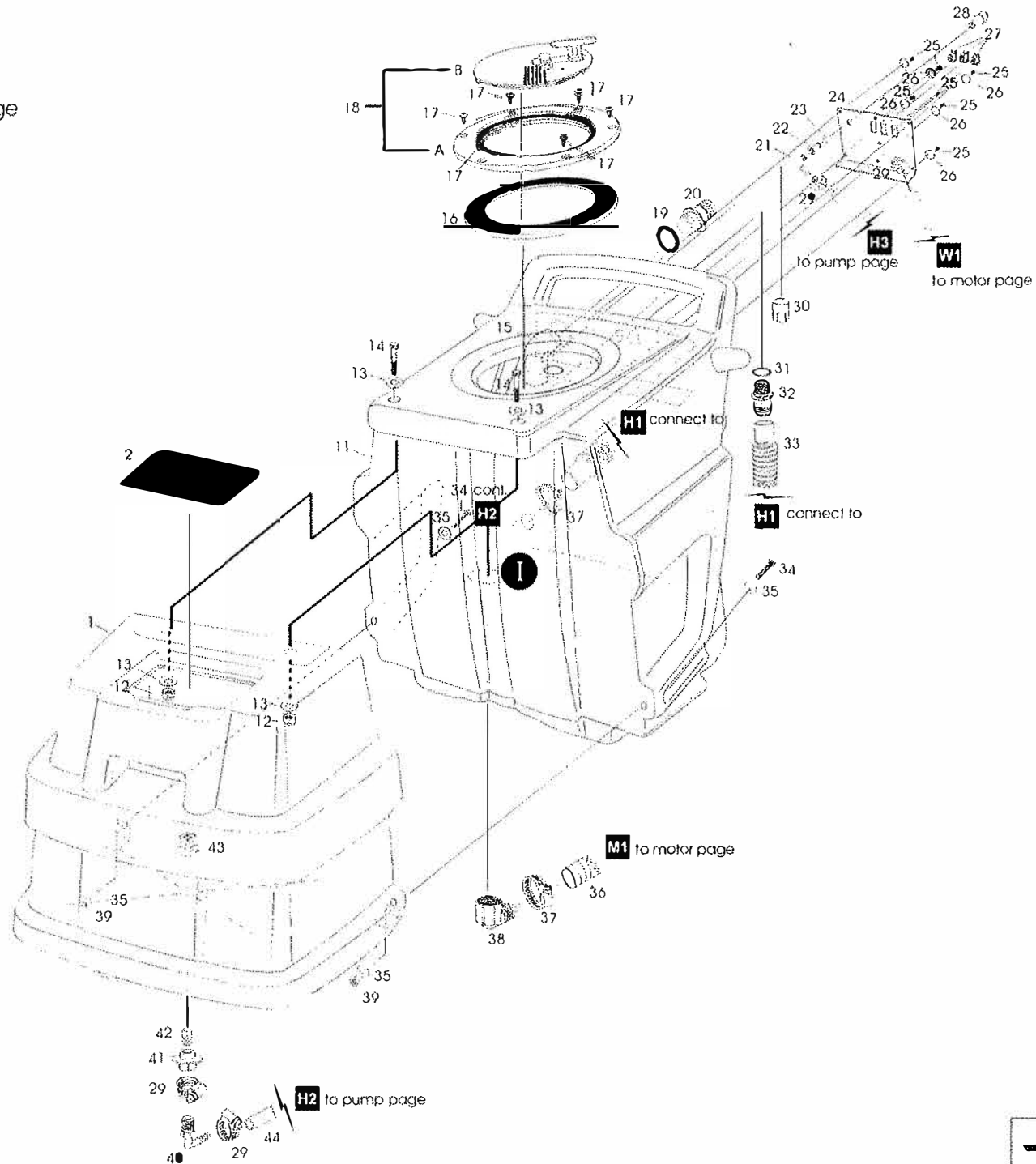
Rhino

Since 1974

RH-2500
 solution tank and recovery tank page
 2-2 vac motors
 100 or 150 psi



enlarge view of **I**



4102008EL 01072010EL
 JAN 9 6 ENT'D

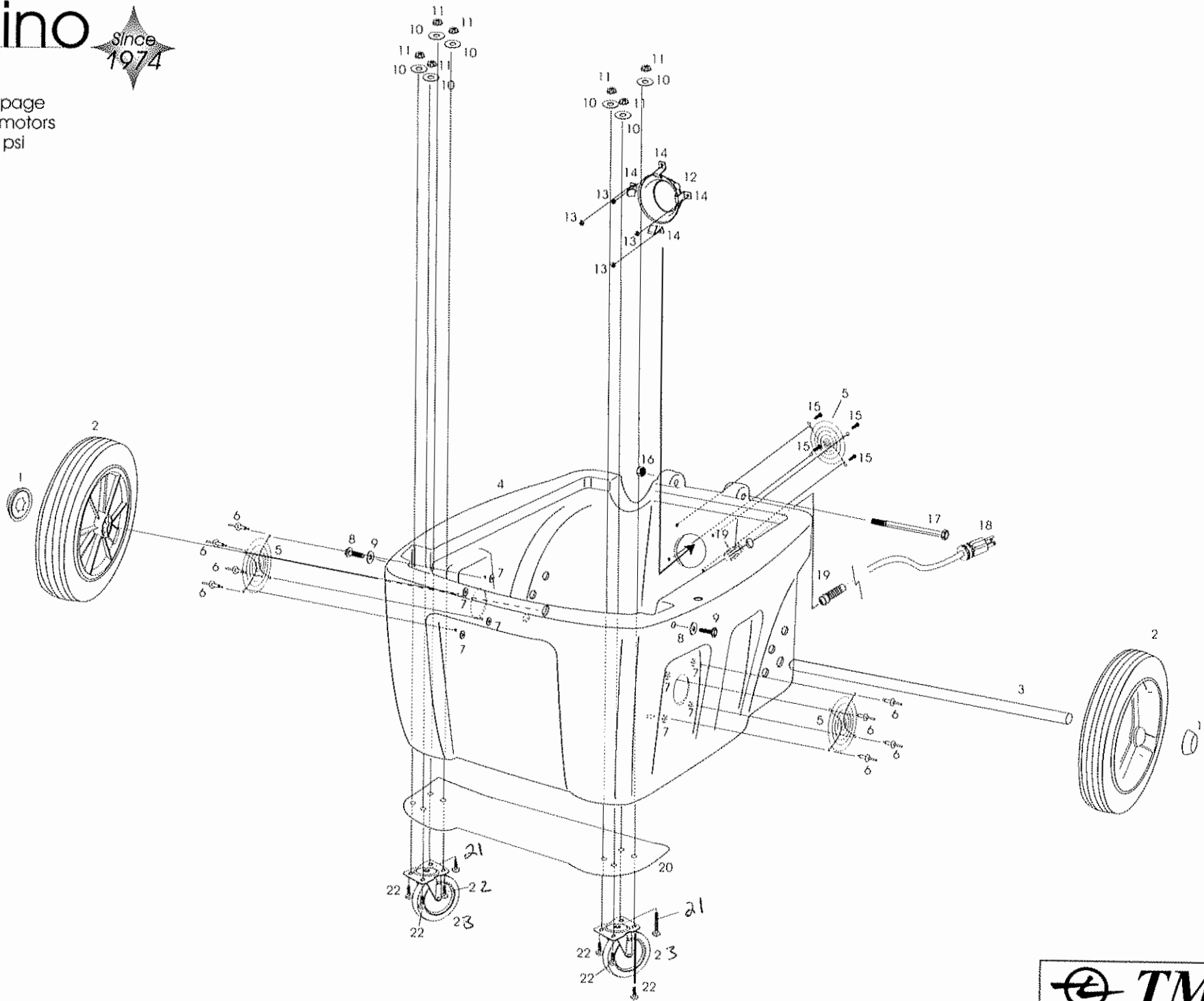
RH-2500
SOLUTION TANK AND RECOVERY TANK PAGE
2-2 VAC MOTORS
100 OR 150 PSI

ITEM No.	PARTS LIST	QTY	DESCRIPTION
1	TC13320695	1	RHINO SOLUTION TANK - GRANITE
2	TMC6131	1	RHINO SOLUTION TANK LID
3	TPW20820	1	STAND PIPE BASE S/S WASHER 2-1
4	TB231602	1	1-1/2" X 3/16GASKET(THICK)
5	TB436212	1	REDUCING/M ADT1-1/2MPTx1-1/4SO
6	PM2320164	1	STAND PIPE 2"O.D.#G (16-1/2")
7	ID67321	1	1/2 SS BN,SS. 1-9/16 TO 2-1/2
8	PM10142	1	BALL FLOAT DUCT ONLY
9	PM10144	1	BALL FLOAT CAGE W/BALL
10	PM10150	1	VACUUM FILTER(BALL-FLOAT)
11	TC13311795	1	RHINO RECOVERY TANK -GRANITE
12	FN1110420	2	1/4X20 S/S NYLON LOCK NUT
13	FW302300	4	1/4 S/S U.S.S. CUT WASHER
14	FB021428	2	1/4-20X1-3/4 HEX BOLT 18-8 S/S
15	TB231715	1	90DEG.ELBOW 1.5SPIG X 1.5FPT
16	DB10116	1	MOBIL LASTIC TAPE 1/16X1FT.
17	FB9010808	6	#8-18 x1/2 TRUSS PHIL SCREW S/
18	TMC6010	1	RHINO REC. TANK LID COMPLETE
	b TMC6011	1	RHINO REC. TANK LID ONLY
19	TB231601	1	1-1/2" X 1/8 GASKET(THIN)
20	TB231516	1	1.5"HOSE BARB W/FLANGE BLACK
21	129HB44	1	90 DEG. HB (HOSE X MPT)1/4X1/4
22	222P44	1	ADAPTER 1/4MPTX1/4FPT
23	FW552910	1	9/16 PLASTIC CUT WASHER
24	TMC6203	1	RHINO SWITCH PLATE W/3 CUT OUT
25	FB1032108	6	10-32X1/2PH.PAN HEAD ZN
26	FW302316	6	3/16 ALUM. RIVET WASHER AS6R
27	TE202012	3	CV/ON-OFF ROCKER SWITCH (TMI)
28	TE202019	1	MOMEN RCKR SWCH N.O(1"X.5")
29	ID57060	4	H.C. 1/2 SS BN,PLT,3/8TO7/8
30	TB435010	1	1" FEMALE ADAPTER x SLIP
31	MS30G322	1	O-RING FOR RHINO
32	TB436133	1	1-1/2" HOSE BARB x 1" MPT
33	THD150016	1	1.5"x16" DRAIN TUBE
34	FB022424	2	1/4-20X1-1/2 HEX BOLT-ZINC
35	FW302400	4	1/4 U.S.S. CUT WASHER ZINC
36	TV150299-27	1	1-1/2" VAC. HOSE x 27"
37	ID57200	1	1/2 SS BN5/16PLT, 3/4 TO 1-3/4
38	TB261510	1	1-1/2" 90 DEG.HOSE BARBx1.5FPT
39	FN1020421	2	1/4X20 KEPS NUT
40	N6MEB4	1	90DEG.H.B.3/8HOSEX1/4MPT WH.NY
41	TSP10402	1	1/4FPTx1/4FPT SPIN FITTING
42	215PN4	1	CLOSE NIPPLE 1/4
43	TF101050	1	FILTER SCREEN S/S 50MESH 1/4FT

Rhino

Since
1974

RH-2500
Housing page
2-2 vac motors
100-150 psi



05082008EL 01072010EL
JAN 26 ENT'D

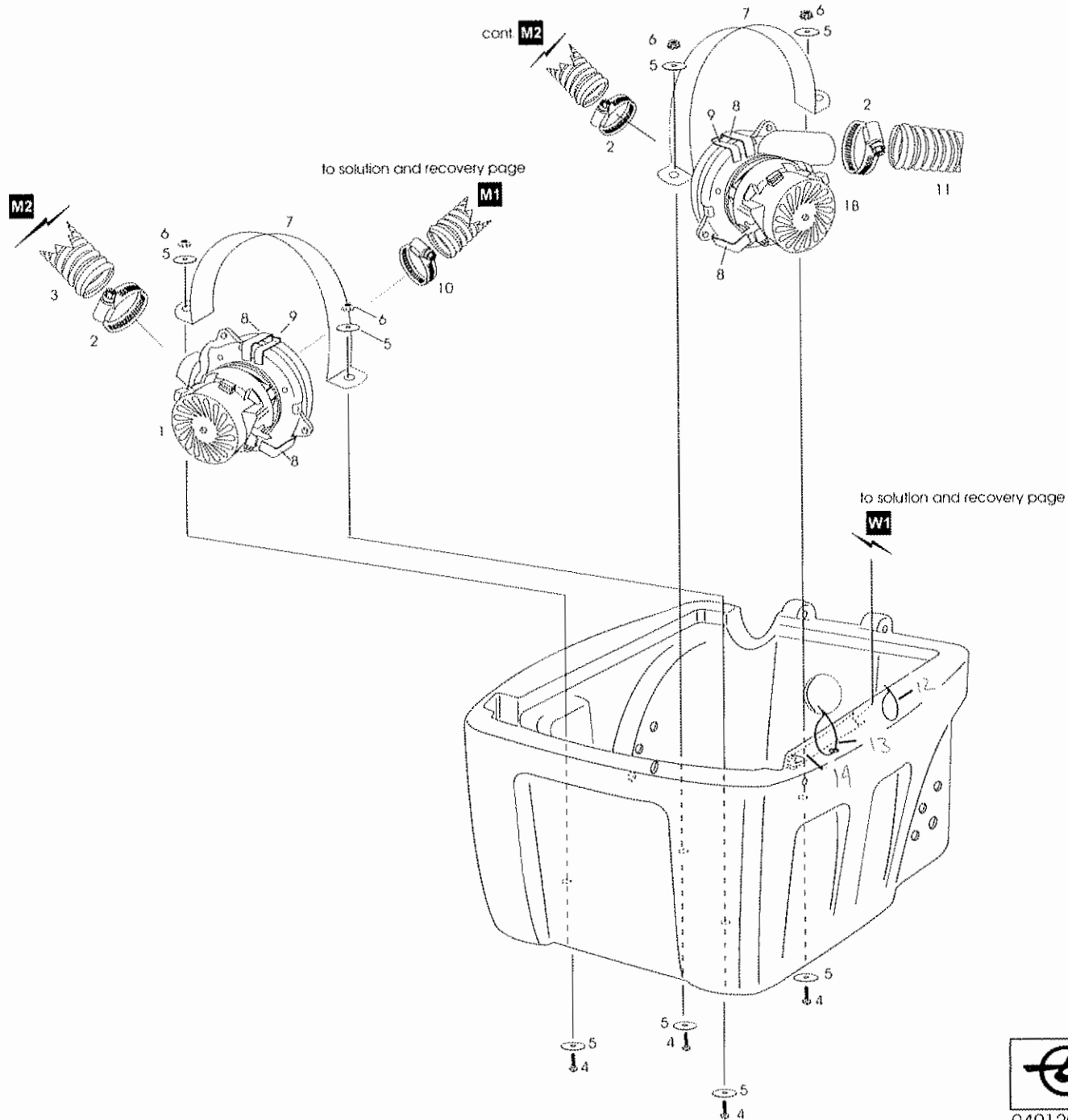
RH-2500
 BOTTOM HOUSING
 2-2stg VAC MOTORS
 100 OR 150 PSI

ITEM No.	PARTS LIST	QTY	DESCRIPTION
1	FS07108	2	1/2" AXLE (ROD) END CAP
2	WC161094	2	10X1.75X1/2"NONMARKIWHEEL80CAB
3	FS05081808	1	AXLE(ROD)1/2" X 18-1/2"
4	TC13330895	1	RHINO BASE - GRANITE
5	TE438134	3	COOLING FAN SCREEN
6	FR03604	8	AL/ST 6-4 RIVET
7	FW302316	8	3/16 ALUM. RIVET WASHER AS6R
8	FB023416	2	1/4-20x1 HEX TAPTITE BOLT-ZINC
9	FW552400	2	1/4 PLASTIC CUT WASHER
10	FW302424	8	1/4X1-1/4 ZINC FENDER WASHER
11	FN1020421	8	1/4X20 KEPS NUT
12	TMC6225	1	RHINO EXHAUST
13	FN1021032	5	10X32 KEPS NUT ZINC
14	TP110480	4	RHINO EXHAUST HOLDING BRACKET
15	FB1032116	5	10-32X1 PH.PAN HEAD ZN
16	FN1141616	1	3/8 x 16 CENTER LOCK NUT ZN
17	FB022688	1	3/8-16x5-1/2 HEX BOLT-ZINC
18	TE101230	2	12-3SJTW-A POW.CORDX25"W/15M.P
19	TE101500	2	CORD RETAINER (COMPLETE)
20	TMC6228	1	RHINO BASE REINFORCE PLATE
21	FB022416	2	1/4-20 x 1 HEX BOLT-ZINC
22	FB022412	6	1/4-20 x 3/4 HEX BOLT-ZINC
23	WC120263	2	3"X1"NON MARKING SWIVEL CAST.*



Rhino

Since 1974

RH-2500
motor page
2-2 vac motors
100 or 150 psi

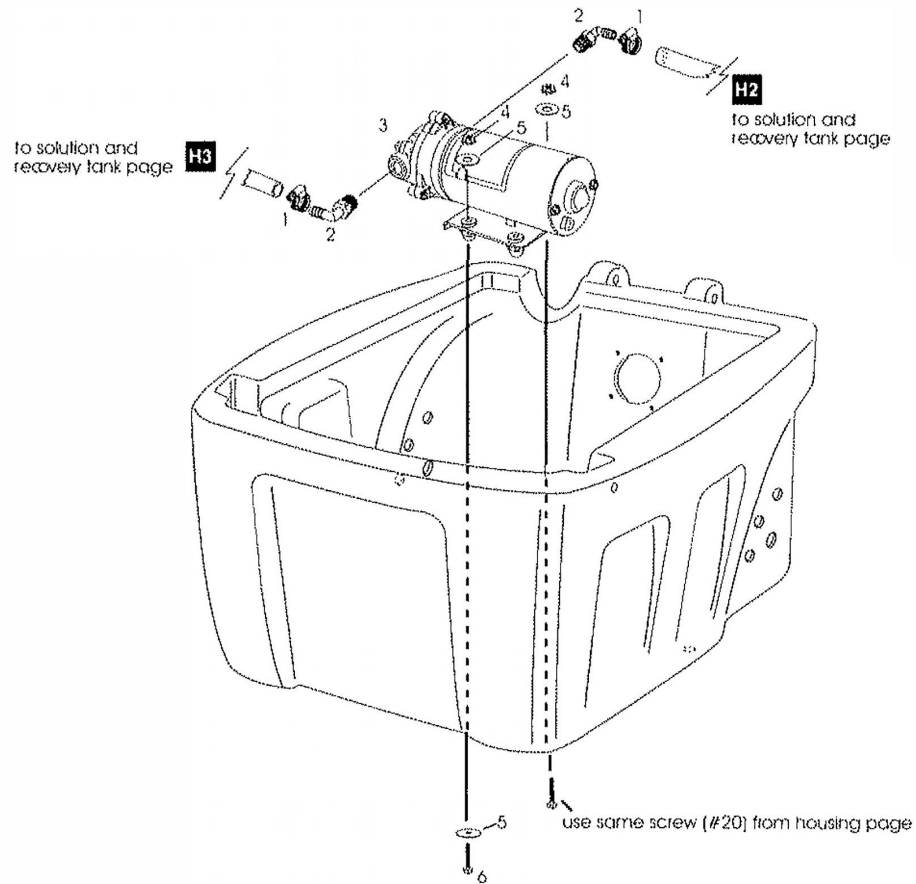


USE:

-  Total 8 large zip tie (12)
-  Total 6 small zip tie (11)

RH-2500
MOTOR PAGE
2-2stg VAC MOTOR
100 OR 150 PSI

ITEM No.	PARTS No.	QTY	DESCRIPTION
1	11660033-A/C	1	120V/5.7 2STG 93" W/STRG ADAP
	b 11660033-C/C	1	120V/5.7 2STG 93" W/1.5" STRA
2	ID57320	3	1/2 SS BN,PLT, 1-9/16 TO 2-1/2
3	TV200294-18	1	2" VACUUM HOSE x 18"
4	FB022412	4	1/4-20X3/4 HEX BOLT-ZINC
5	FW302424	8	1/4X1-1/4 ZINC FENDER WASHER
6	FN1020421	4	1/4X20 KEPS NUT
7	TP2021214	2	MOTOR STRAP HOLDING BRACKET
8	TP400401	4	MOTOR CLAMP 5.7-2 STAGE MOTOR
9	TP400405	2	VAC STRAP GUARD
10	ID57200	1	1/2 SS BN5/16PLT, 3/4 TO 1-3/4
11	TV200294-4	1	2"WIRE BRA INTERN.VAC.HOSE GRAY, 4"
12	FT010204BLK	4	HOSE TIE SOLID 4" BLACK
13	FT010112	12	HOSE TIE BLACK 11" LADDER
14	TH3630899-38	4	3/8"SOLUTION HOSE x 38"



100 or 150 psi
2-2 vac motors
pump page

Rhi no



RH-250 0

RH-2500
PUMP PAGE
2-2 VAC MOTOR
100 OR 150 PSI

ITEM No.	PARTS No.	QTY	DESCRIPTION
1	ID57060	2	H.C. 1/2 SS BN,PLT,3/8TO7/8
2	N6MCB6	2	HOSE BARB3/8HOSEX3/8MPT WH.NY
3	S80812288	1	115V100PSI/VITON/INT80PSIBYPAS
4	FN1020421	2	1/4X20 KEPS NUT
5	FW302400	3	1/4 U.S.S. CUT WASHER ZINC
6	FB022424	1	1/4-20X1-1/2 HEX BOLT-ZINC