

# BLITZ SERIES

B-101 = 1 vac 60psi

B-106 = 2 vac 60psi

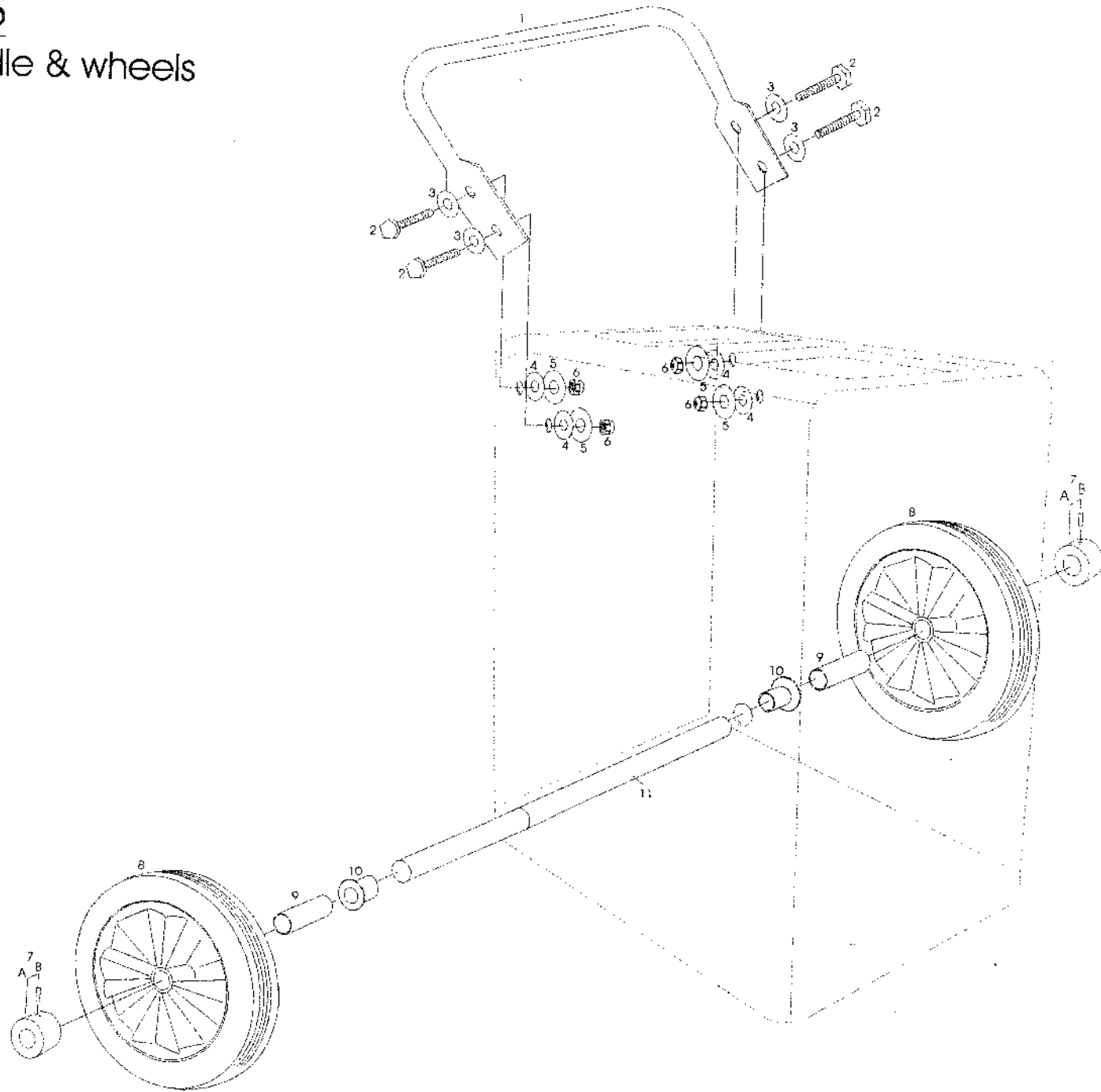
B-107 = 2 vac 100psi

without heater

total 06 pages  
2001

# BLITZ SERIES

Optional handle & wheels



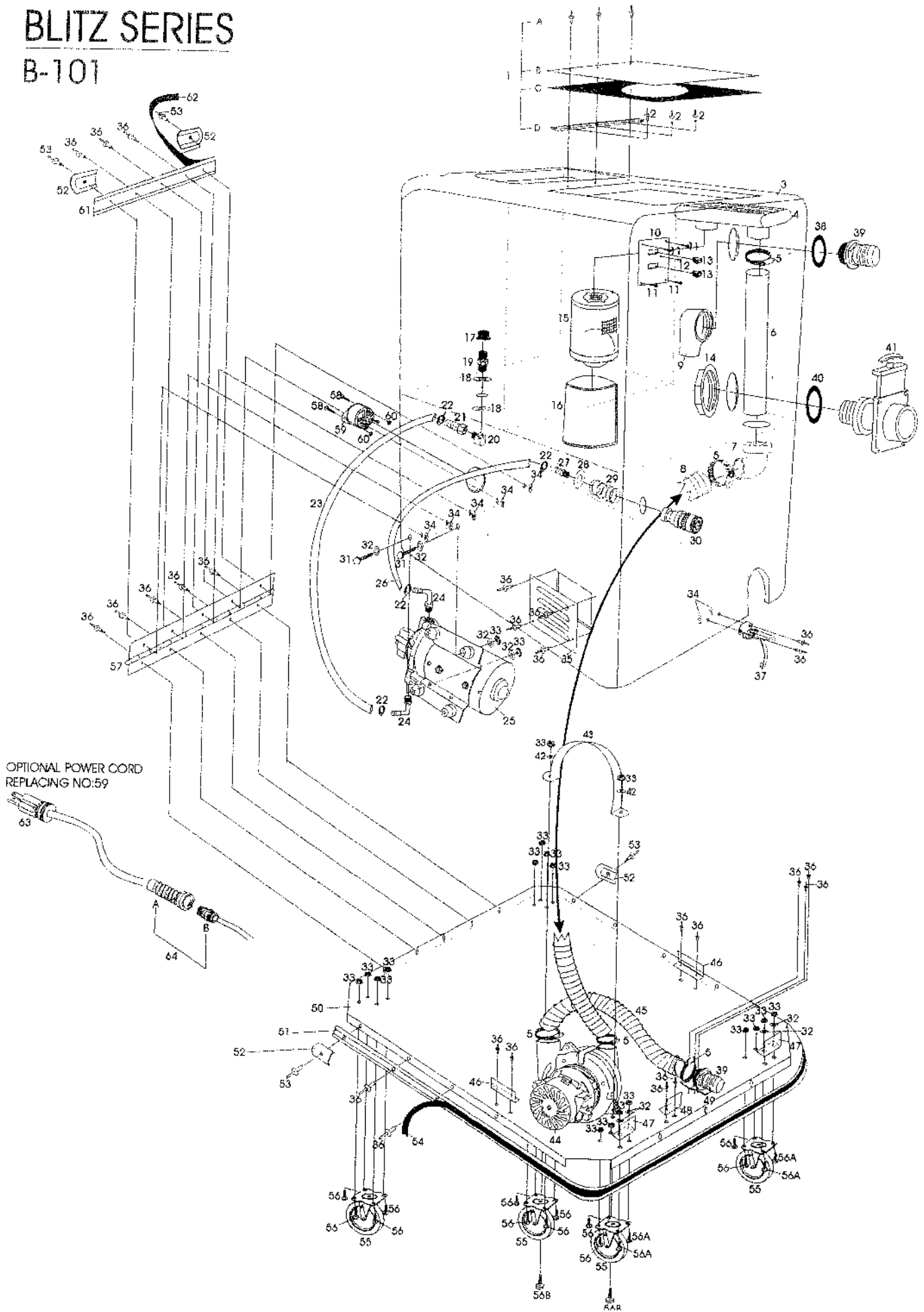
# BLITZ SERIES

## Optional handle & wheels

<u>ITEM NO.</u>	<u>QUANTITY</u>	<u>TMI PART NO.</u>	<u>DESCRIPTION</u>
1	1	TB101220	STATIONARY HANDLE
2	4	FB021416	1/4-20 X 1"HEXBOLT 18-2 S/S
3	4	FW302400	1/4 U.S.S CUT WASHER ZINC
4	4	DB10116	MOBIL LASTIC TAPE
4	4	FW330408	1/4 FIBER WASHER
5	4	FW301424	1/4 X 1-1/4 S/S FENDER WASHER
6	4	FN1110420	1/4 X 20 S/S NYLON LOCK NUT
7A	2	FS07008	1/2" AXEL ( ROD ) HOLDER
7B	2	FB044404	1/4-20 X 1/4 SOCKET SET SCREW
8	2	WC131099	10 X 1.75 X 1/2" SEMI PNEW. NON MARKING WHEEL
9	2	FW340816	1/2" ID X 1" SPACER ( AXEL SPACER )
10	2	MBS080908	1/2" X 1/2" ENGINEERING PLASTIC BEARING W/FLANGE
11	1	FS051026	AXLE ( ROD )

# BLITZ SERIES

## B-101



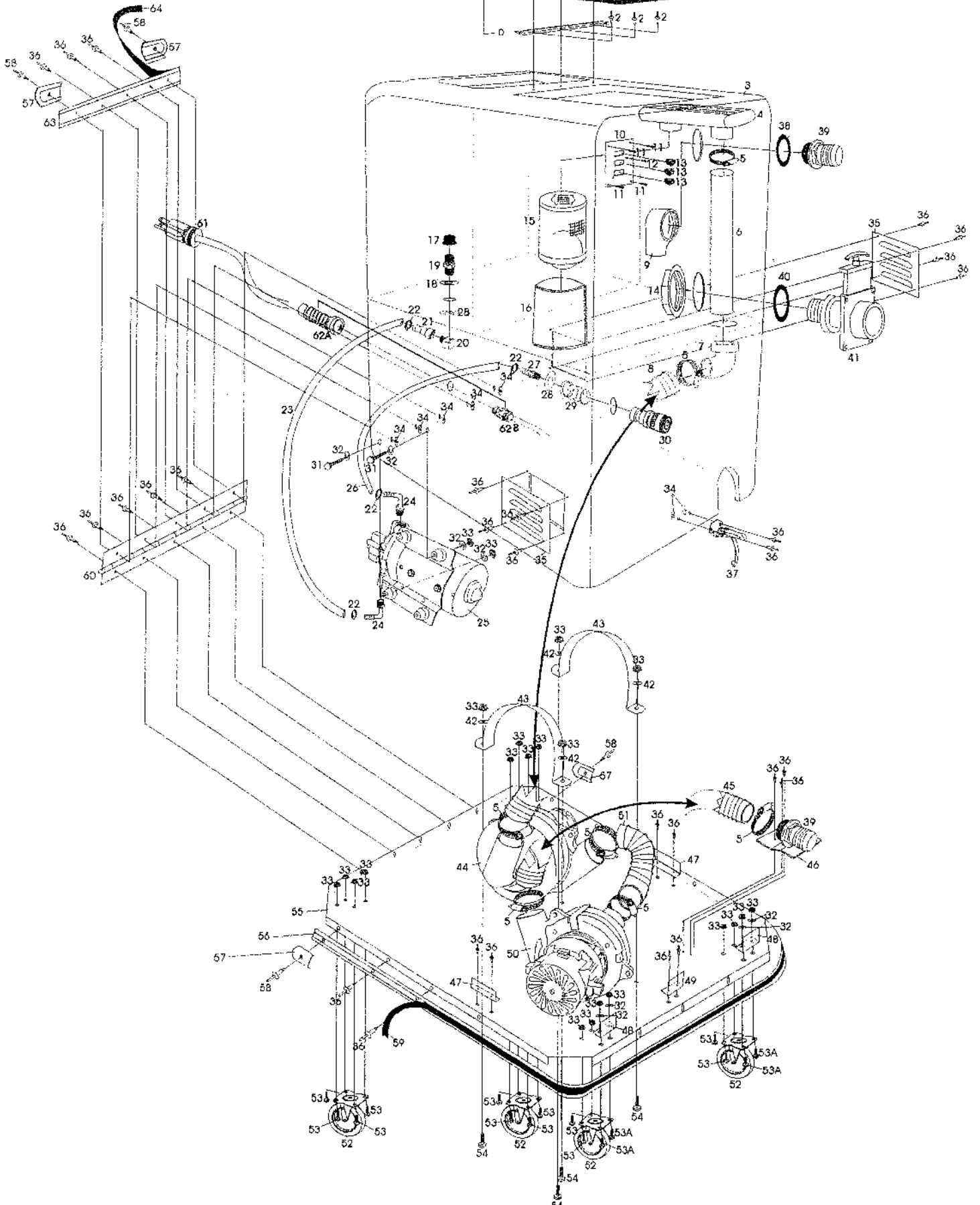
# BLITZ SERIES

MODEL: B-101

ITEM NO.	QUANTITY	TMI PART NO.	DESCRIPTION
1	1	TMC20211	LID (SS) COMP. STY B 9-1/4X 10-1/2
A	3	FR01402	S/S 4-2 RIVET
B	1	TMC20232	LID ONLY (S/S) 9-1/4 X 10-1/2 X 24G -B
C	1	TMC00222	LID GASKET ONLY 9" X 10"-B
D	1	FS011080	S/S LID HINGE X 8"
2	3	FR012406	S/S 4-6 RIVET
3	1	TC1210##*	FIBERGLASS H. #B 25 X 20 X 16
4	1	PM10142	BALL FLOAT DUCT ONLY
5	6	ID57320	1/2 SS BN, 1-9/16 TO 2-1/2
6	1	PM2320168	STAND PIPE 2" O.D. #B (16-1/2")
7	1	TB231720	2" 90 DEG FLANGED ADAPTER
8	1	TV200294	2" WIRE BRA. INTERN. VAC. HOSE GRA. (21")
9	1	TB231715	90DEG. ELBOW 1.5 SPIG X 1.5 FPT
10	1	TS21015	SWITCH PLATE W/2 SWITCHES OPEN
11	4	FB1032008	10-32 X 1/2 PH. FLAT HEAD ZN
12	1	FB1032003	10-32 X 3/8 PH. PAN HEAD ZN
13	3	TE202012	CV/ON-OFF ROCKER SWITCH (1"X.5")
14	1	TB231620	1-1/2" LOCK NUT (JAM NUT)
15	1	PM10144	BALL FLOAT CAGE W/BALL
16	1	PM10150	VACUUM FILTER (BALL-FLOAT)
17	1	TF101050	FILTER SCREEN S/S 50MESH 1/4FT
18	1	FW301820	1/2 S/S FLAT WAS. (.5X1.25X.078)
19	1	216P4	HEX CLOSE NIPPLE 1/4"
20	1	2202P44	90DEG. STREET ELBOW 1/4MPTX1/4F
21	1	126HBL64	HOSE BARB (HOSE X FPT) 3/8 X 1/4
22	4	ID57060	1/2 SS BN, 3/8 TO 7/8
23	1	TH3630650	3/8 I.D. 250 WP1000 BP BLUE (16" long)
24	2	N8MEB6	90DEG. H.B. 3/8 HOSE X 3/8 MPT WH. NY
25	1	S80533236	1.4 GPM EPDM/SAN. 60 PSI
26	1	TH3630650	3/8 I.D. 250 WP1000 BP BLUE (16" long)
27	1	125HBL64	HOSE BARB (HOSE X MPT) 3/8 X 1/4
28	2	FW301950	1/2X1-3/8 ZINC FENDER WASHER
29	1	FS091624	Q.C. MOUNTING SPRING
30	1	BH2-6000	BRASS COUPLER 1/4 FPT
31	2	FB024424	1/4-20X1-1/2 HEX BOLT-ZINC
32	8	FW302400	1/4 U.S.S. CUT WASHER-ZINC
33	20	FN1020421	1/4 X 20 KEPS NUT ZINC
34	7	FW302316	3/16 ALUM RIVET WASHER
35	1	TP100411	VENTPLATE SMALL 5-1/4 X 7-1/2
36	28	FR03604	AL/ST 6-4 RIVET
37	1	FS05015	DRAW LATCH
38	1	TB231601	1-1/2" X 3/16 GASKET (THIN)
39	2	TB231516	1.5" HOSE BARB W/ FLANGE BLACK
40	1	TB231602	1-1/2" X 1/8" GASKET (THICK)
41	1	TB231151	1.5" BLACK 3 PC. VALVE SPIG X MPT
42	2	FW302424	1/4 X 1-1/4 ZINC FENDER WASHER
43	1	TP200110	MOTOR STRAP FOR 5.7 MOTORS (SM)
44	1	11941213-BC	2 STG VAC MOTOR W/ 90 DEG. ADP. CL
45	1	TV200294	2" WIRE BRA. INTERN. VAC. HOSE GRA. (20" Long)
46	2	TP110425	SIDE ALIGNMENT BRACKET
47	2	TP110435	FRONT SIDE ALIGNMENT BRACKET
48	1	TP110437	FRONT CENTER ALIGNMENT BRACKET
49	1	TP110411	EXHAUST BRACKET
50	1	TMB12203	1-5.7 MOTOR, 4 CASTERS (B)
51	1	TG411660	ALUMINUM BUMPER GUARD (54-1/2" Long)
52	4	TG420016	END CAP
53	4	FR03606	AL/ST 6-6 RIVET
54	1	TG311660	BUMPER INSERT (54-1/2" Long)
55	4	WC120263	3"X1" NON-MARKING SWIVEL CAST
56	12	FB22408	1/4-20X1/2 HEX BOLT-ZINC
56	4	FB022412	1/4-20 X 3/4 HEX BOLT-ZINC
A	2	FB024416	1/4-20 X 1 HEX BOLT-ZINC
B	1	FS033110	ALUM. HINGE (B) 11"
57	1	FS033110	ALUM. HINGE (B) 11"
58	2	FB103212	10-32 X 3/4 PH. PAN HEAD ZN
59	1	TE202090	FLANGE INL. MALE 3-PLUG MET. SH
60	2	FN101032	10 X 32 KEPS NUT
61	1	TG411660	ALUM. BUMPER GUARD (B) 11"
62	1	TG311660	BUMPER INSERT (B) 11"
63	1	TE101230	12-3 SJWTW-A POW. CORD X 25' W/15M.P
64	1	TE101500	CORD RETAINER (COMPLETE)
A&B	1	TE101500	CORD RETAINER (COMPLETE)

# BLITZ SERIES

## B-106/B-107



# BLITZ SERIES

MODEL : B-106 & B-107

ITEM NO.	QUANTITY	TMI PART NO.	DESCRIPTION
1	1	TMC20211	LID (SS) COMP. STY B 9-1/4 X 10-1/2
	3	FR01402	S/S 4-2 RIVET
	1	TMC20232	LID ONLY (S/S) 9-1/4 X 10-1/2 X 24G -B
	1	TMC00222	LID GASKET ONLY 9" X 10" -B
	1	FS011080	S/S LID HINGE X 8"
2	3	FR01406	S/S 4-6 RIVET
3	1	TC1210#*	FIBERGLASS H. #B 25" X 20" X 16"
4	1	PM10142	BALL FLOAT DUCT ONLY
5	6	ID57320	HOSE CLAMP 1/2 SS BAND 5/16 HEX PLT 1-9/16 TO 2-1/2
6	1	PM2320168	STAND PIPE 2" O.D. #B (16-1/2")
7	1	TB231720	2"90 DEG FLANGED ADAPTER
8	1	TV200294	2" WIRE BRA. INTERN. VAC. HOSE GRA.(21"Long)
9	1	TB231715	90DEG. ELBOW 1.5 SPIG X 1.5 FPT
10	1	TS31001	SWITCH PLATE W/3 SWITCHES
11	4	FB1032008	10-32 X 1/2 PH. FLAT HEAD ZN
12	1	FB1032003	10-32 X 3/8 PH. PAN HEAD ZN
13	3	TE202012	CV/ON-OFF ROCKER SWITCH (1"X.5")
14	1	TB231620	1-1/2" LOCK NUT (JAM NUT)
15	1	PM10144	BALL FLOAT CAGE W/BALL
16	1	PM10150	VACUUM FILTER (BALL-FLOAT)
17	1	TF101050	FILTER SCREEN S/S 50MESH 1/4FT
18	1	FW301820	1/2 S/S FLAT WAS. (.5X1.25X.078)
19	1	216P4	HEX CLOSE NIPPLE 1/4"
20	1	2202P44	90DEG.STREET ELBOW 1/4MPTX1/4F
21	1	126HBL64	HOSE BARB (HOSE X FPT) 3/8 X 1/4
22	2	ID57060	1/2 SS BN, 3/8 TO 7/8
23	1	TH3630650	3/8 I.D. 250 WP1000 BP BLUE (16" long)
24	2	N6MEB6	90DEG.H.B.3/8 HOSE X 3/8 MPT WH.NY
25	1	S80533236	115V. 1.4 GPM P/VITON/S 60 PSI* (FOR MODEL B-106)
25	1	S80813238	115V. 1.6GPM P/ VITON /S 100PSI* (FOR MODEL B-107)
26	1	TH3630650	3/8 I.D. 250 WP1000 BP BLUE (16" long)
27	1	125HBL64	HOSE BARB (HOSE X MPT) 3/8 X 1/4
28	2	FW301950	1/2X1-3/8 ZINC FENDER WASHER
29	1	FS091624	Q.C. MOUNTING SPRING
30	1	BH2-6000	BRASS COUPLER 1/4 FPT
31	2	FB024424	1/4-20X1-1/2 HEX BOLT-ZINC
32	8	FW302400	1/4 U.S.S. CUT WASHER-ZINC
33	22	FN1020421	1/4 X 20 KEPS NUT
34	7	FW302316	3/16 ALUM. RIVET WASHER
35	2	TP100411	VENTPLATE SMALL 5-1/4 X 7-1/2
36	34	FR03604	AL/ST 6-4 RIVET
37	1	FS05015	DRAW LATCH
38	1	TB231601	1-1/2" X 3/16 GASKET (THIN)
39	2	TB231516	1.5" HOSE BARB W/ FLANGE BLACK
40	1	TB231602	1-1/2" X 1/8" GASKET (THICK)
41	1	TB231151	1.5" BLACK 3 PC.VALVE SPIG X MPT
42	4	FW302424	1/4 X 1-1/4 ZINC FENDER WASHER
43	2	TP200110	MOTOR STRAP FOR 5.7 MOTORS (SM)
44	1	11941213-BC	2 STG VAC MOTOR W/90 DEG. ADP CL
45	1	TV200294	2"WIRE BRA. INTERN VAC. HOSE GRA.(20"Long)
46	1	TP110411	EXHAUST BRACKET
47	2	TP110425	SIDE ALIGNMENT BRACKET
48	2	TP110435	FRONT SIDE ALIGNMENT BRACKET
49	1	TP110437	FRONT CENTER ALIGNMENT BRACKET
50	1	11941213-AC	120V/5.7" BP MOTOR W/AD & CL
51	1	TV200294	2"WIRE BRA. INTERN VAC. HOSE GRA.(11"Long)
52	4	WC120263	3"X1" NON MARKING SWIVEL CAST
53	12	FB22408	1/4-20X1/2 HEX BOLT-ZINC
53 A	4	FB022412	1/4-20 X3/4 HEX BOLT-ZINC
54	4	FB024416	1/4-20 X 1 HEX BOLT-ZINC
55	1	TMB12202	2-5.7 MOTORS 4 CASTERS (B)
56	1	TG411660	ALUMINUM BUMPER GUARD ( 54 1/2" )
57	4	TG420016	END CAP
58	17	FR03606	AL/ST 6-6 RIVET
59	1	TG311660	BUMPER INSERT ( 54-1/2" )
60	1	FS033110	ALUM. HINGE ( B ) 11"
61	1	TE101230	12-3 S.JTW-A POW. CORD X 25' W/15M.P
62 A&B	1	TE101500	CORD RETAINER (COMPLETE)
63	1	TG411660	ALUM. BUMPER GUARD (B) 11"
64	1	TG311660	BUMPER INSERT (B) 11"