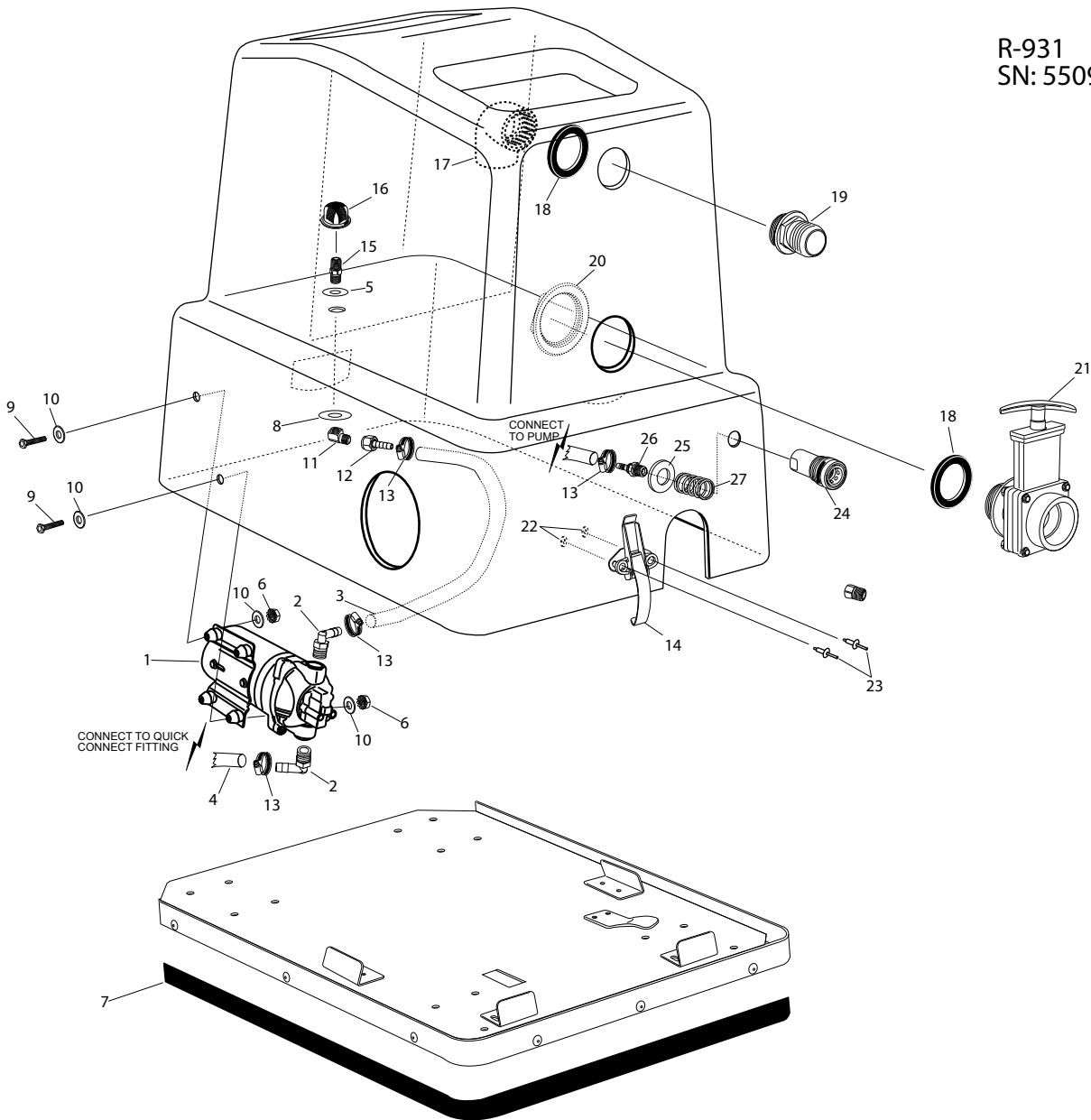


R-931  
SN: 55094 TO PRESENT



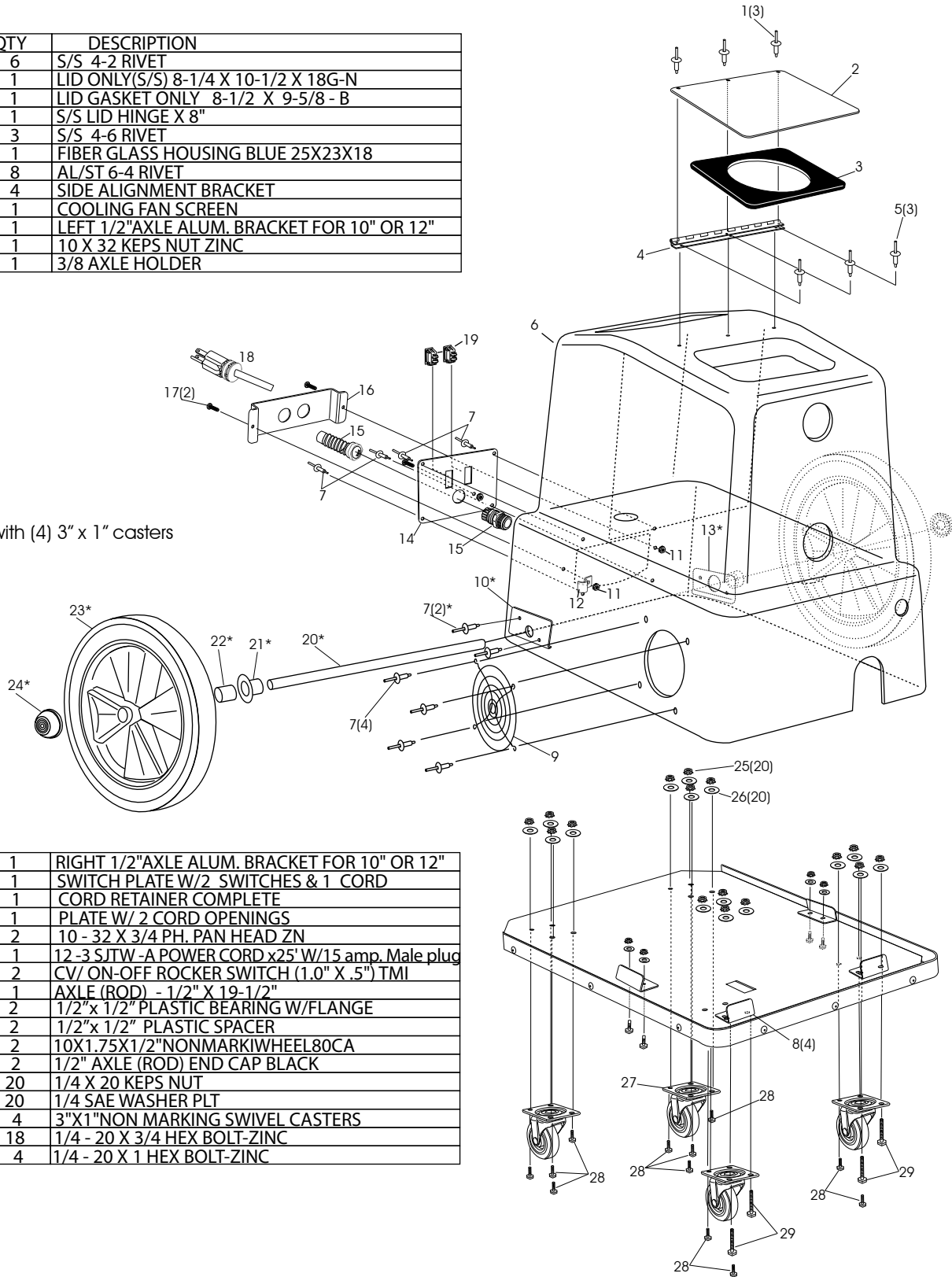
ITEM No	PART No.	QTY	DESCRIPTION
1	866-460-2141	1	115V 60PSI P/MTON/INT 1.0GPM
2	N6MEB6	1	90 DEG. HOSE BARB 3/8 HOSE X 3/8 MPT WH. NYL
3	THB3630699-16	1	3/8 I.D.250 WP1000 BP BLACK -TMI STANDARD 16"
4	THB3630699-33	1	3/8 I.D.250 WP1000 BP BLACK -TMI STANDARD 33"
5	FW302301	1	1/4 S/S U.S.S. CUT WASHER
6	FN1020421	2	1/4 X 20 KEPS NUT
7	MD1055001	1	MOLDING 5/8" BLCK 54.5"
8	FW302800	1	1/2 ZN U.S.S CUT WASHER
9	FB022424	2	1/4 - 20 X 1-1/2 HEX BOLT-ZINC
10	FW302400	4	1/4 U.S.S. CUT WASHER ZINC
11	2202P44	1	90 DEG. STREET ELBOW 1/4 MPT X 1/4 FPT
12	126HBL64	1	HOSE BARB (HOSE X FPT) 3/8 X 1/4
13	ID57060	1	1/2 S/S BAND 5/16 PLT HEX HEAD 3/8 TO 7/8
14	FS05015	1	DRAW LATCH
15	216P4	1	HEX CLOSE NIPPLE 1/4MPT x 1/4MPT
16	TF101050	1	FILTER SCREEN S/S 50 MESH 1/4" FPT
17	TB231715	1	90 DEG. ELBOW 1.5 SOC X 1.5 FPT
18	TB231601	1	1-1/2 X 1/16 GASKET (THIN)
19	TB231516	1	1.5" HOSE BARB W/ FLANGE BLACK
20	TB231620	1	1-1/2 LOCK NUT (JAM NUT)
21	TB231151	1	1.5" BLACK 3 PC. VALVE SPIG X MPT
22	FW312101	1	10 EXT.LOCK TOOTH WASHER
23	FR03606	1	AL/ST 6-6 RIVET
24	BH2-6020	1	BRASS COUPLER 1/4" FPT -F
25	FW609203	1	9/16" ID x 1.25" OD x 0.090" AL WASHER
26	125HBL64	1	HOSE BARB (HOSE X MPT) 3/8 X 1/4
27	FS091624	1	Q.C. MOUNTING SPRING

R-931  
 SN: 55094 TO PRESENT

ITEM No	PART No.	QTY	DESCRIPTION
1	FR01402	6	S/S 4-2 RIVET
2	TMC20231	1	LID ONLY(S/S) 8-1/4 X 10-1/2 X 18G-N
3	TMC00222	1	LID GASKET ONLY 8-1/2 X 9-5/8 - B
4	FS011080	1	S/S LID HINGE X 8"
5	FR01406	3	S/S 4-6 RIVET
6	TC127050	1	FIBER GLASS HOUSING BLUE 25X23X18
7	FR03604	8	AL/ST 6-4 RIVET
8	TP110425	4	SIDE ALIGNMENT BRACKET
9	TE438134	1	COOLING FAN SCREEN
10	TMA010101	1	LEFT 1/2"AXLE ALUM. BRACKET FOR 10" OR 12"
11	FN1021032	1	10 X 32 KEPS NUT ZINC
12	TP111430	1	3/8 AXLE HOLDER

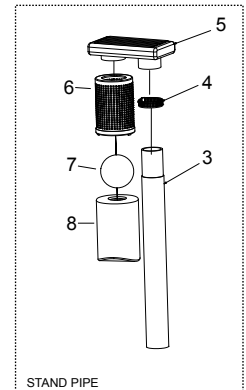
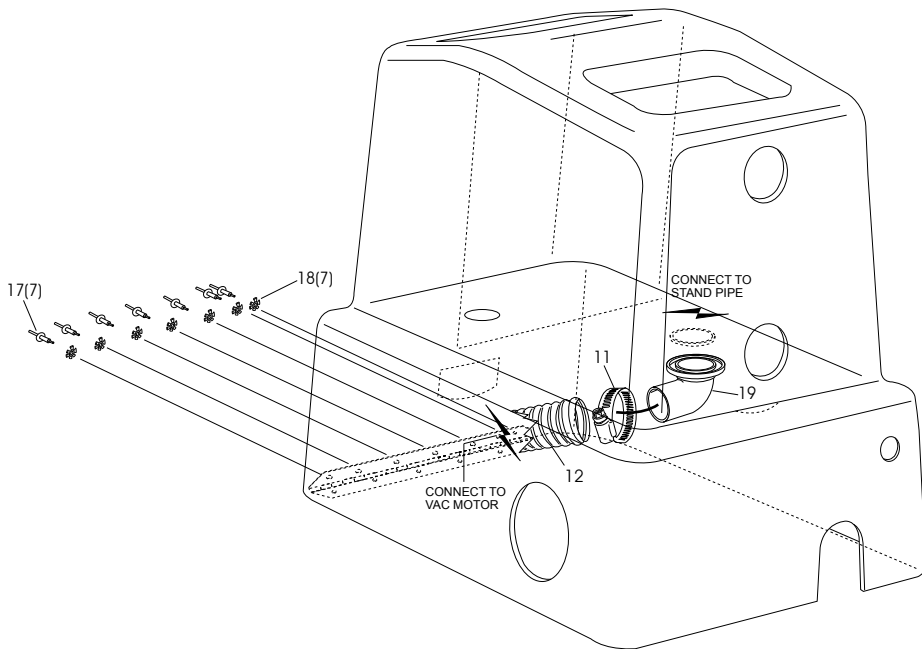
NOTE:

\*Optional 10" rear wheels  
 Standard model comes with (4) 3" x 1" casters

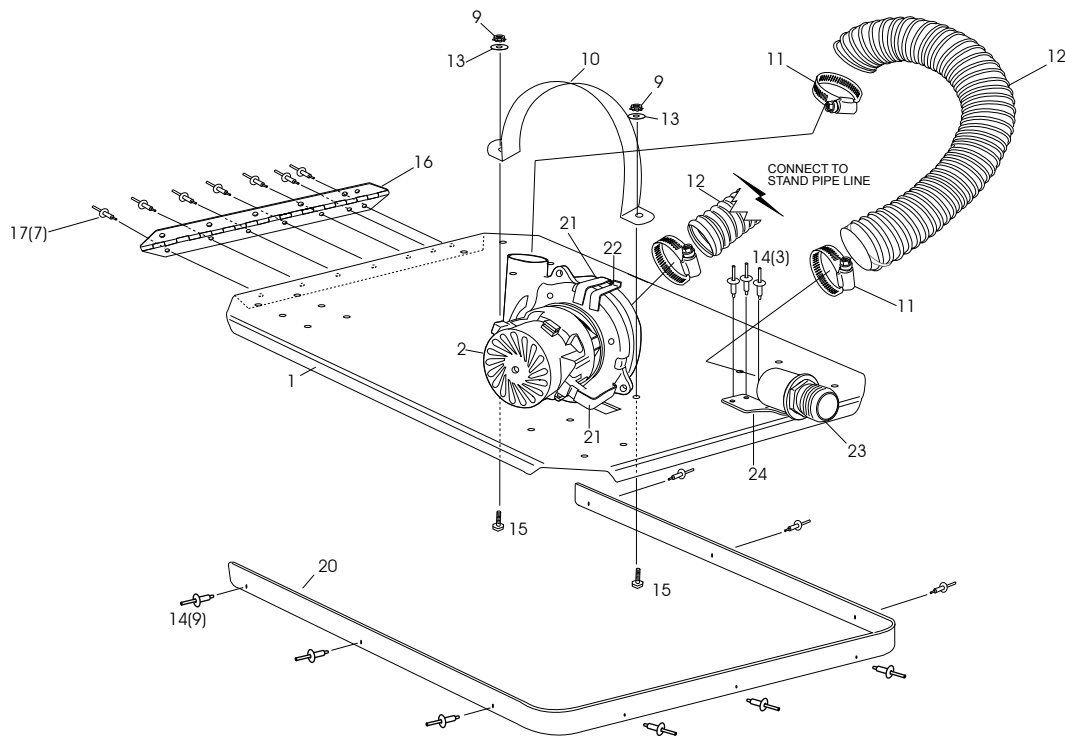


13	TMA010102	1	RIGHT 1/2"AXLE ALUM. BRACKET FOR 10" OR 12"
14	TS21101	1	SWITCH PLATE W/2 SWITCHES & 1 CORD
15	TE101500	1	CORD RETAINER COMPLETE
16	TS00201	1	PLATE W/ 2 CORD OPENINGS
17	FB1032112	2	10 - 32 X 3/4 PH. PAN HEAD ZN
18	TE101230	1	12-3 SJTW -A POWER CORD x25' W/15 amp. Male plug
19	TE202012	2	CV/ ON-OFF ROCKER SWITCH (1.0" X .5") TMI
20	FS05081908	1	AXLE (ROD) - 1/2" X 19-1/2"
21	MBS080908	2	1/2"x 1/2" PLASTIC BEARING W/FLANGE
22	FW340808	2	1/2"x 1/2" PLASTIC SPACER
23	WC161096	2	10X1.75X1/2"NONMARKIWHEEL80CA
24	FS07108	2	1/2" AXLE (ROD) END CAP BLACK
25	FN1020421	20	1/4 X 20 KEPS NUT
26	FW3020450	20	1/4 SAE WASHER PLT
27	WC120263	4	3"X1"NON MARKING SWIVEL CASTERS
28	FB022412	18	1/4 - 20 X 3/4 HEX BOLT-ZINC
29	FB022416	4	1/4 - 20 X 1 HEX BOLT-ZINC

R-931  
SN: 55094 TO PRESENT  
MOTOR



CONNECT TO  
RECOVERY TANK



ITEM No	PART No.	QTY	DESCRIPTION
1	TMB12203	1	1 OR 2-5.7 MOTORS, 4 CASTERS
2	11639200-A/C	1	120V/5.7"2STG.MOTOR W/ADAPTER
3	PM242000903	1	STAND PIPE ASSY FOR REBEL S1-1/2" SIG x 1-1/4 SIG x 10.5"
4	ID67321	1	1/2 S/S BAND, 5/16" S/S HEX-HEAD 1-9/16 - 2.5"
5	PM10142	1	BALL FLOAT DUCT ONLY
6	PM10144	1	BALL FLOAT CAGE W/BALL
7	PM10145	1	PLASTIC BALL ONLY
8	PM10150	1	VACUUM FILTER (BALL-FLOAT CAGE FILTER)
9	FN1020421	2	1/4 X 20 KEPS NUT
10	TP200117	1	MOTOR STRAP 17"
11	ID67321	1	1/2 S/S BAND, 5/16" S/S HEX-HEAD 1-9/16 TO 2-1/2"
12	TVB200394-18	2	2" WIRE BRAID INTERNAL VACUUM HOSE GRAY 18"
13	FW302424	2	1/4 X 1-1/4 ZINC FENDER WASHER
14	FR03604	3	AL/ST 6-4 RIVET
15	FB022416	1	1/4 - 20 X 1 HEX BOLT-ZINC
16	FS033110	1	ALUM.HINGE 1.5X11#A, B, E, G(12" WH), J top, K
17	FR03606	14	AL/ST 6-6 RIVET
18	FW312101	7	10 EXT.LOCK TOOTH WASHER
19	TB231720	1	2" 90 DEG. FLANGED ADAPTER
20	TG436545	1	ALUMINUM FLAT BUMPER GUARD 54.5"
21	TP400401	2	MOTOR CLAMP 5.7- 2 STAGE MOTOR
22	TP400405	1	VAC. MOTOR STRAP GUARD
23	TB231515	1	1.5" HOSE BARB W/ FLANGE, VAC HOSE ADAPTER
24	TP110411	1	EXHAUST BRACKET